

Every pump tested in water to ensure pump meets performance curve.



### FEATURES/BENEFITS

#### PERFORMANCE

- Heads up to 124' TDH
- Flows up to 122 GPM

#### MOTOR (Single Phase)

- High efficient, 115v or 230v, oil filled, permanent split capacitor motor with upper and lower ball bearings and thermal overload protection
- Constant bearing lubrication
- Maximum motor cooling
- Runs cooler and lasts longer
- Internal overload protection
- Quiet operation
- Fasteners and shaft made from rugged, corrosion resistant stainless steel

#### SEAL DESIGN

- Single, mechanical, oil filled chamber
- Optional double seal series models available that provides additional protection and moisture sensing capabilities
- Optional seal failure feature that will alert you when the seal has failed

#### IMPELLER DESIGN

- 1 or 2 vane cast iron impeller
- Designed to help reduce clogging by foreign material

#### POWER CORD

- Sealed entry quick disconnect power cords
- Prevents water from entering the motor housing through a cut cord
- Easy to replace in the field
- Available in lengths up to 100'

#### SWITCH

- Piggy-back switch design (Single Phase)
- Defective switches can be diagnosed over the phone
- Pump can be operated manually or supplied with other piggy-back switches
- Switch can be replaced without having to replace the pump

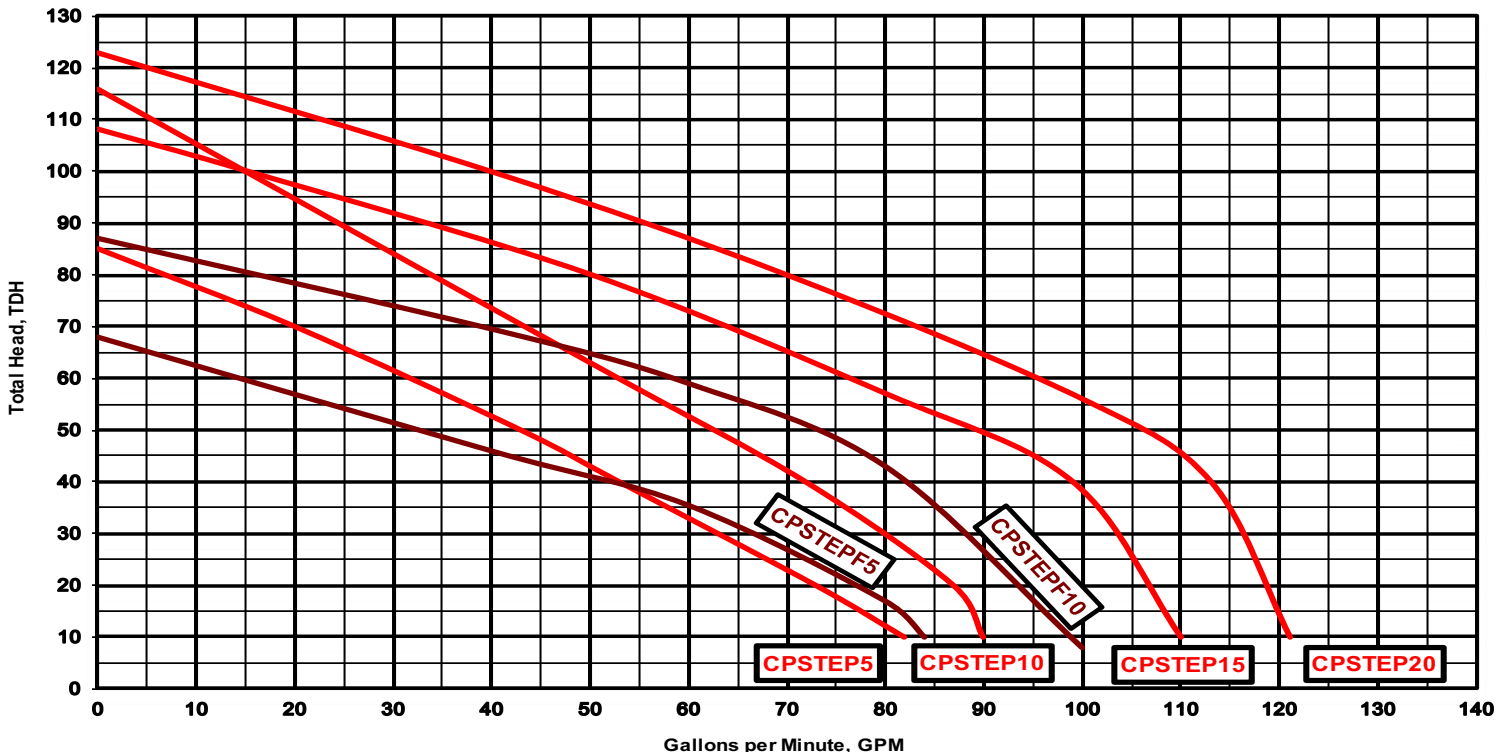
### APPLICATIONS

Dewatering, septic systems, residential and commercial developments, elevator pits and STEP systems



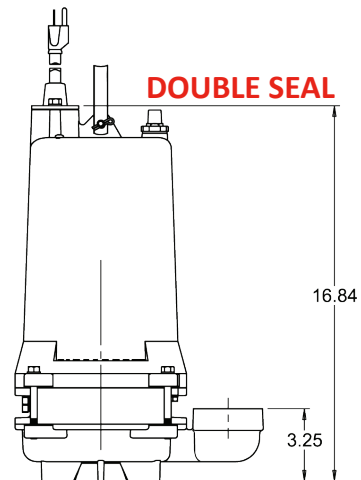
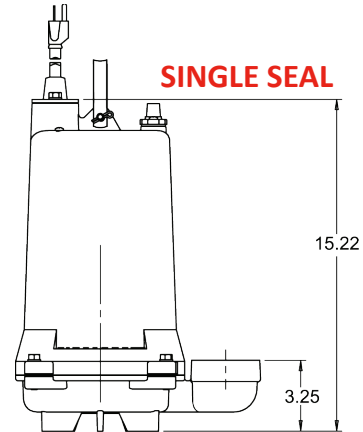
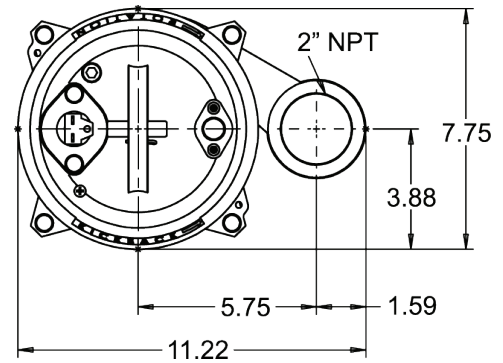
1/2-2 HP high head effluent pumps that handle up to 3/4" solids with 2" discharge

### PERFORMANCE CURVE



# TECHNICAL DATA

<b>DISCHARGE</b>	2" NPT. vertical standard
<b>SOLIDS HANDLING</b>	3/4"
<b>LIQUID TEMPERATURE</b>	140 Degrees F. (Intermittent)
<b>MOTOR HOUSING</b>	Cast Iron
<b>VOLUTE</b>	Cast Iron
<b>SEAL PLATE</b>	Cast Iron
<b>IMPELLER</b>	Cast Iron / 1 or 2 Vane
<b>SHAFT</b>	Stainless Steel
<b>SHAFT SEAL (SINGLE SEAL)</b>	Single mechanical, carbon rotating face, ceramic stationary face, Buna-N elastomer, 300 series stainless steel hardware
<b>SHAFT SEAL (DOUBLE SEAL)</b>	Tandem double mechanical upper & lower, carbon ceramic, Buna-N elastomer, 300 stainless steel hardware
<b>BEARINGS (UPPER &amp; LOWER)</b>	Single row, ball, oil lubricated
<b>HARDWARE</b>	300 Series stainless steel
<b>O-RINGS</b>	Buna-N
<b>CORD</b>	20' Length standard. Up to 100' available. UL/CSA (SJOW) 14/3 (.375 OD) Quick disconnect pin terminals *UL/CSA (SO) Cord 14 Ga. (.60 OD)
<b>MOTOR (SINGLE PHASE)</b>	1/2-2 HP 3450 RPM. 60 Hz, Includes overload protection in the motor, oil filled, class F permanent split capacitor
<b>MOTOR (THREE PHASE)</b>	1/2-2 HP 3450 RPM. 60 Hz, oil filled, requires overload protection to be included in control panel
<b>WEIGHT</b>	72 lbs. (Manual)



# MODEL(S) INFORMATION

MODEL	HP	VOLTS	PHASE	AMPS	CORD LENGTH	SWITCH	REQUIRES PANEL
CPSTEP512(A)	1/2	115	1	13.8	20'	M (Wide-Angle Float)	No
CPSTEP522(A)	1/2	230	1	6.9	20'	M (Wide-Angle Float)	No
CPSTEP532	1/2	230	3	4.6	20'	Manual	Yes
CPSTEP542	1/2	460	3	2.3	20'	Manual	Yes
CPSTEP1022(A)	1	230	1	10.4	20'	M (Wide-Angle Float)	No
CPSTEP1032	1	230	3	7.6	20'	Manual	Yes
CPSTEP1042	1	460	3	3.8	20'	Manual	Yes
CPSTEP1522(A)	1-1/2	230	1	12	20'	M (Wide-Angle Float)	No
CPSTEP1532	1-1/2	230	3	8.4	20'	Manual	Yes
CPSTEP1542	1-1/2	460	3	4.2	20'	Manual	Yes
CPSTEP2022(A)	2	230	1	14.8	20'	M (Wide-Angle Float)	No
CPSTEP2032	2	230	3	11	20'	Manual	Yes
CPSTEP2042	2	460	3	5.5	20'	Manual	Yes