

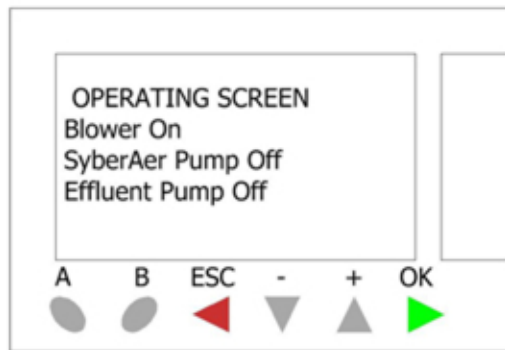


SBC 4080 UV Logic Operating Instructions

Screens 1 and 2

Press the A button to change screens.

Screen 1 – Operating Screen



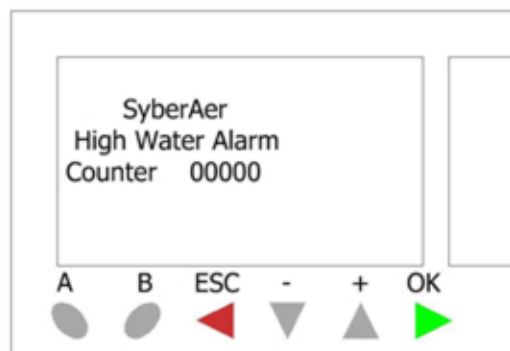
This screen will show the status of the motors in the system.

Blower On/Off

SyberAer Pump On/Off

Effluent Pump On/Off

Screen 2 – SyberAer High Water Alarm Count



This Screen will show you the number of High Water Alarms that have occurred in the SyberAer tank. This value can be reset by pressing the – button for 3 seconds.

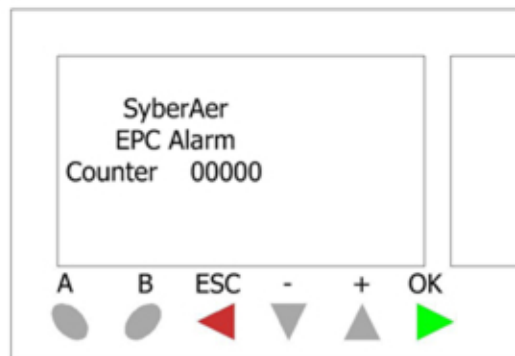


SBC 4080 UV Logic Operating Instructions

Screens 3 and 4

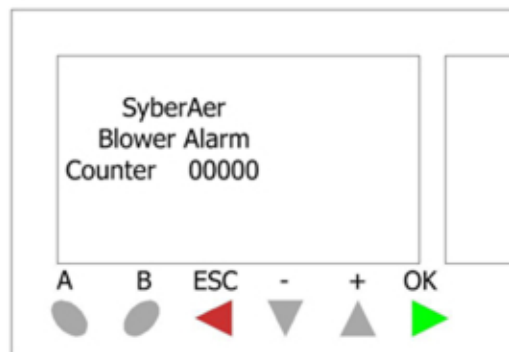
Press the A button to change screens.

Screen 3 – SyberAer EPC Alarm Count



This Screen will show you the number of EPC alarms that have occurred in the SyberAer tank. This value can be reset by pressing the – button for 3 seconds.

Screen 4 – SyberAer Blower Alarm Count



This Screen will show you the number of Blower alarms that have occurred in the SyberAer tank. This value can be reset by pressing the – button for 3 seconds.

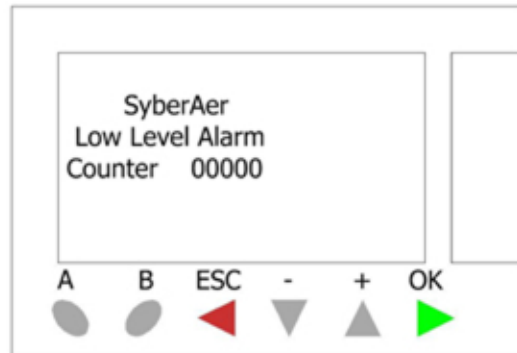


SBC 4080 UV Logic Operating Instructions

Screens 5 and 6

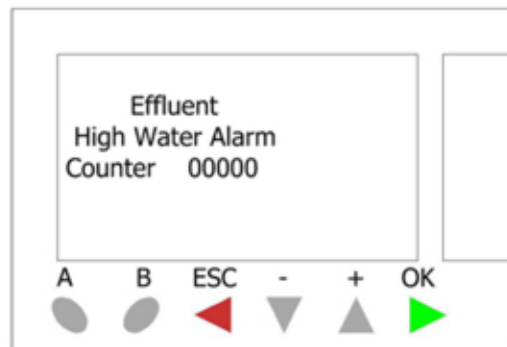
Press the A button to change screens.

Screen 5 – SyberAer Low Level Alarm Count



This Screen will show you the number of Low Level alarms that have occurred in the SyberAer tank. This value can be reset by pressing the – button for 3 seconds.

Screen 6 – Effluent High Water Alarm Count



This Screen will show you the number of High Water alarms that have occurred in the Effluent tank. This value can be reset by pressing the – button for 3 seconds.

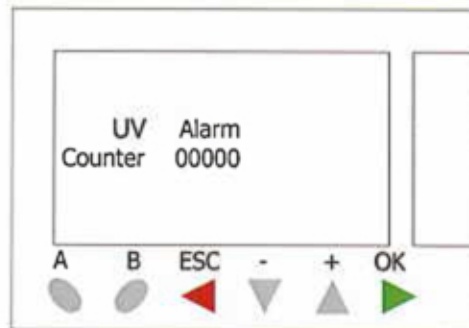


SBC 4080 UV Logic Operating Instructions

Screens 7 and 8

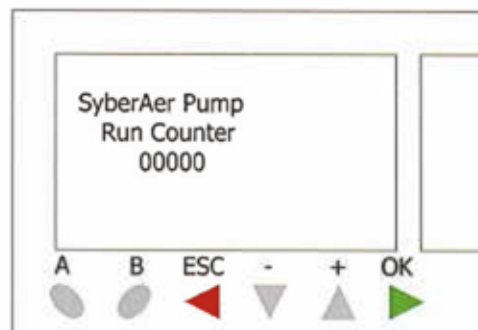
Press the A button to change screens.

Screen 7 – UV Alarm Count



This Screen will show you the number of UV alarms that have occurred
This value can be reset by pressing the – button for 3 seconds.

Screen 8 – SyberAer Pump Run Counter



This Screen will show you the number of times the SyberAer Pump has been turned on by the logic. The Pump Test Switch will not count. This value can be reset by pressing the – button for 3 seconds.

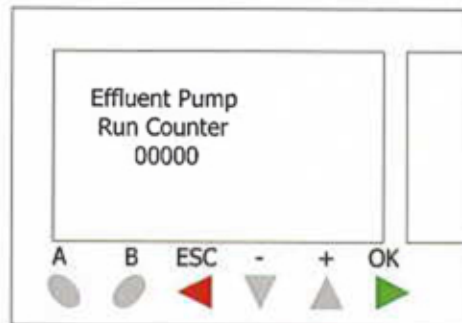


SBC 4080 UV Logic Operating Instructions

Screens 9 and 10

Press the A button to change screens.

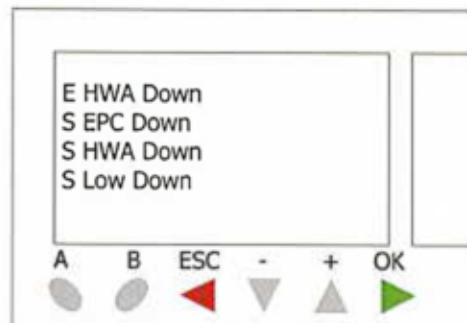
Screen 9 – Effluent Pump Run Counter



This Screen will show you the number of times the Effluent Pump has been turned on by the logic. The Pump Test Switch will not count. This value can be reset by pressing the – button for 3 seconds.

Screen 8 – Service Screen

Press the B Button for 5 seconds to access this screen.
Press the B Button again to exit.



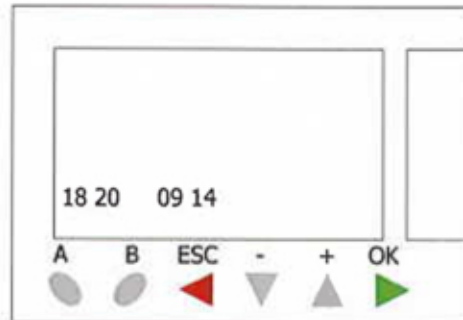
E HWA – Effluent HWA Float Up/Down
S EPC – SyberAer EPC Float Up/Down
S HWA – SyberAer HWA Float Up/Down
S Low – SyberAer Low Float Up/Down

This screen will override the alarm screen to check float operation.

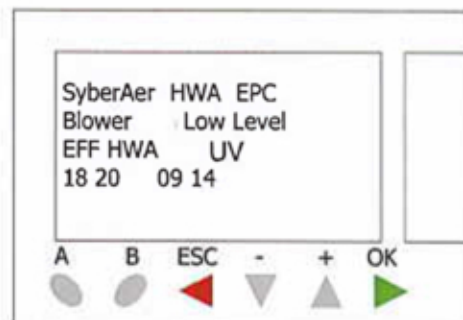


SBC 4080 UV Logic Operating Instructions

Alarm Screen



The information shown in the bottom of the screen when an alarm comes on is the time and Date. 18 20 = 6:20PM and 09 14 = Sept 09. This is at the time the alarm starts. If there are multiple alarms (HWA and EPC in the SyberAer) the date and time captured will be when the first alarm came on.



The alarms will be displayed on the screen in the position they are displayed above. The first line will show the SyberAer HWA and EPC, the second line will show the SyberAer Blower and Low Level. The third line will show the Effluent Tank HWA and the UV.

The SyberAer Low Level, UV, and Blower alarms are latching alarms. This means that the light and buzzer (unless silenced) will remain on even if the alarm clears. Press the OK Button to reset these alarms.

The SyberAer HWA, EPC, Effluent HWA alarms will turn the light and buzzer off if the alarm clears, but the alarm screen will remain active until the OK Button is pressed so the Date and time are visible.



SBC 4080 UV Logic Operating Instructions

Panel Operation

04:00 – SyberAer Blower starts.
23:00 – Effluent Pump starts.
00:00 – Effluent Pump stops. SyberAer Blower stops. Settling begins.
03:00 – SyberAer Pump starts.
04:00 – Process starts over.

SyberAer

SyberAer Blower – Turns the alarm light and buzzer on if the Blower stops between 04:00 and 00:00. This is a latching alarm, press the OK button to clear.

SyberAer HWA – Turns the alarm light and buzzer on, and starts the Effluent Pump. The Effluent Pump will stay on 5 minutes below the SyberAer HWA. (if using a secondary pump station)

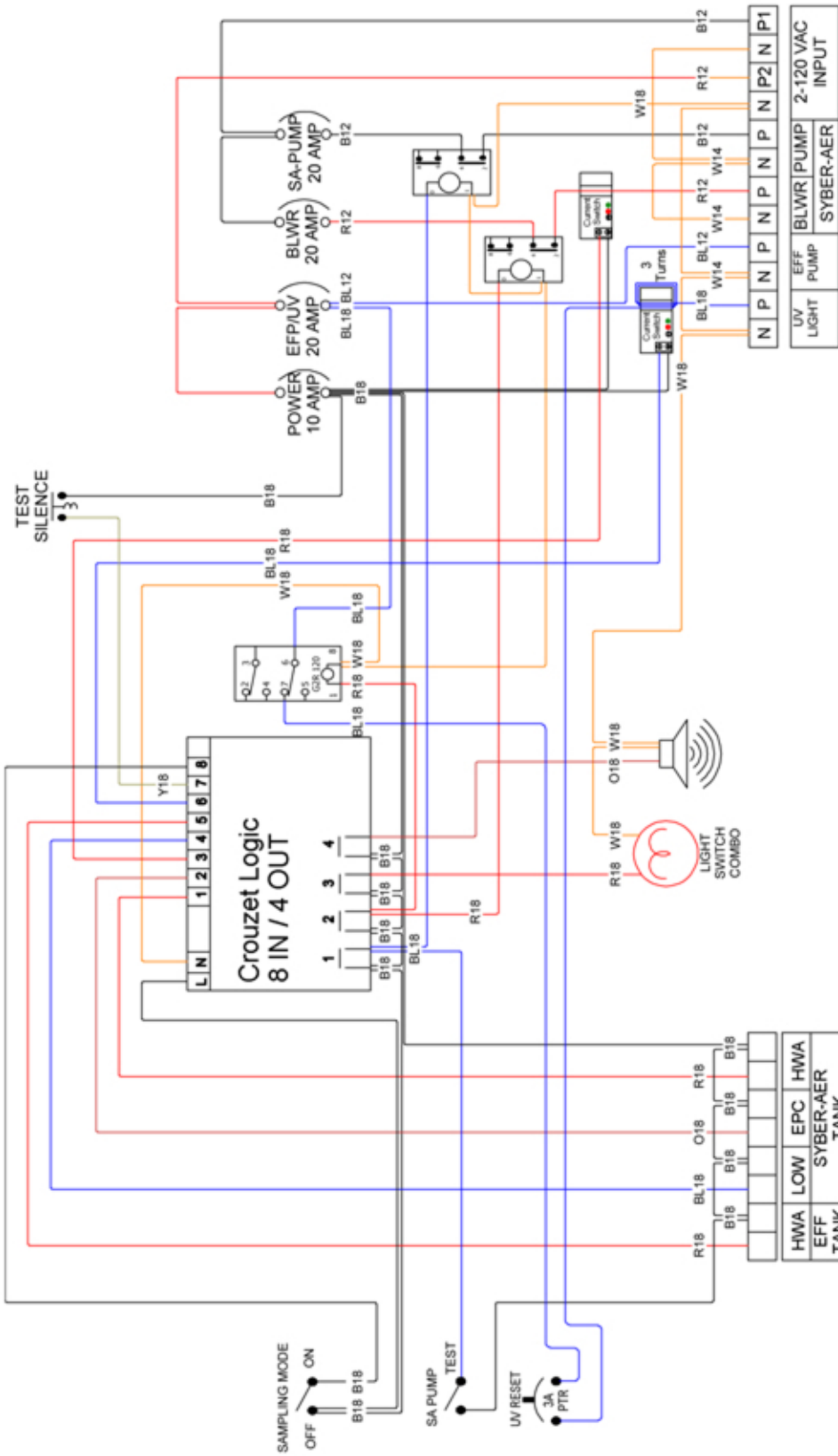
SyberAer EPC – Keeps the alarm light and buzzer on. Stops the Blower and begins a 1 hour settling period in the ATU. After 1 hour the SyberAer Pump will turn on and run 4 minutes below the EPC Float.

SyberAer Low Level – Will turn the alarm light and buzzer on if the low alarm float is up between 04:00 and 04:05. This is to notify you that the ATU did not completely pump down. This is a latching alarm, press the OK button to clear.

UV Alarm- Turns the alarm light and buzzer on if the UV light does not turn on. This a latching alarm, press the ok button to clear.

Fail-safe - If the Blower alarm or UV alarm are activated the SYBR-AER pump will not be allowed to run until the alarm condition has been cleared.

Sample Mode- When it is time to sample the system instruct the homeowner to flip the sample mode switch to ON before they leave for work. This will shut the blower off without sounding the alarm and turn the UV on. This will start the settling mode. When it is time to collect the sample flip the pump run switch ON and collect a free flowing sample. Once the sample has been collected turn the pump run switch OFF, and turn the sample mode switch to OFF. This will start the blower back up and resume original programming.



GRD ○○○○○

SYBER-AER PUMP TANK FLOATS

Low Float - Should be set at a level to give an alarm if the pump tank is not at that level at 4:00 am. This is a LATCHING ALARM, you must press the minus key on the logic to clear.

HWA Float - Should be set at a level to turn on the light and buzzer.

EPC Float - Should be set at a level above the HWA to turn the blower off for one hour then run the pump until the EPC Float drops.

	TITLE	SyberAer Ohio with UV Light
	MODEL	4080SAOH-UV
		021117RW REV 2