

AX25RT Treatment System - UV with Pump Discharge (OH)

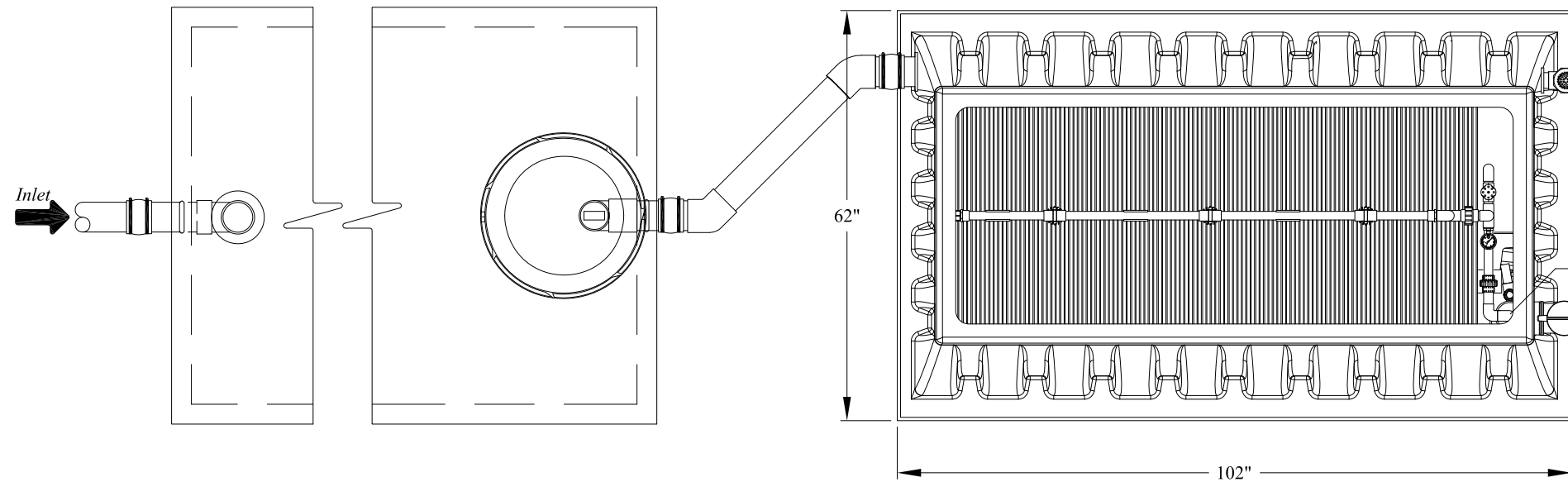
NPDES: Non - Lake Erie

NPDES: Lake Erie

Filter Tank Dry Weight: 950 lbs

Design and Installation Notes

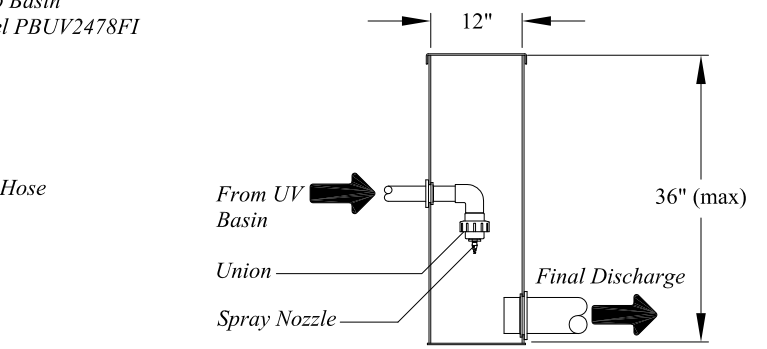
- For Expected Flows 6 Bedrooms or less
- Installation To Be Performed By An AdvanTex Trained Installer Only
- Start-up And Service To Be Performed By An AdvanTex Trained Service Provider



* Primary Tank - Top View

AX25 800 gal. Recirc. Tank - Top View

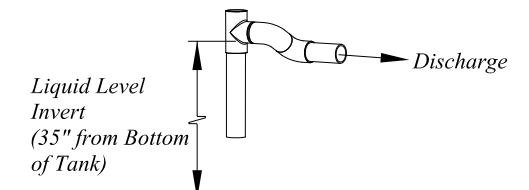
| Float Functions | |
|-----------------|-----------------------|
| Y | High Level Alarm |
| B | Pump On |
| G | Override Timer ON/OFF |
| R | Pump Off |
| W | LLA/RO |



Note: Placement of sample basin must comply with local regulations

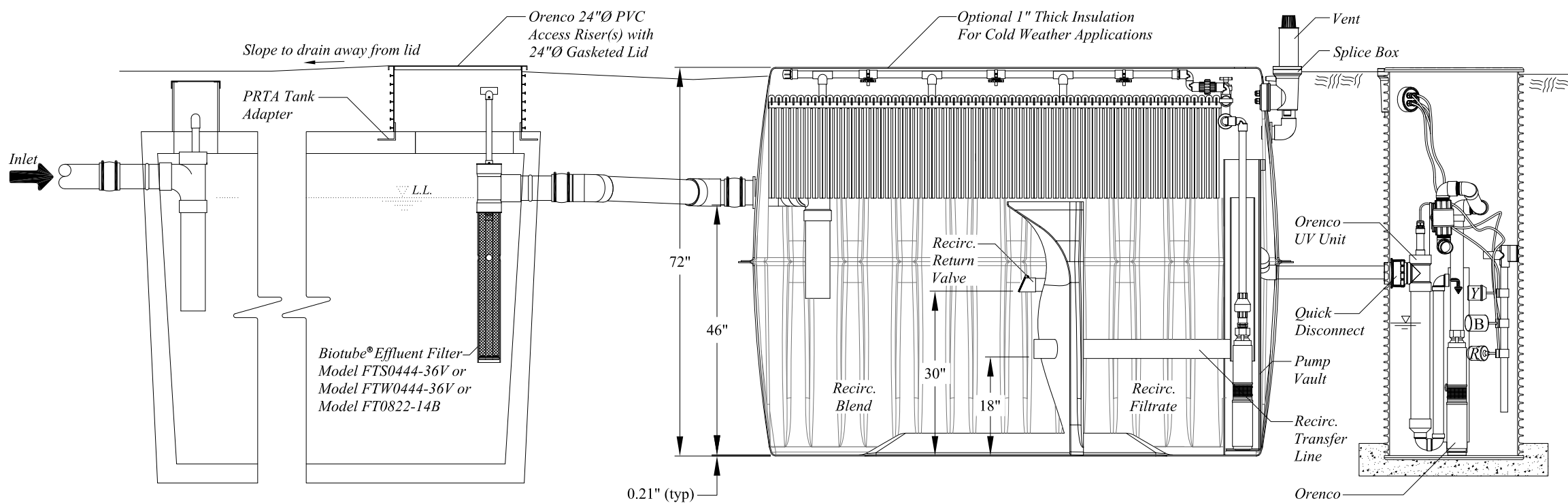
Sample Basin Detail

Scale: 1" = 2'-0"



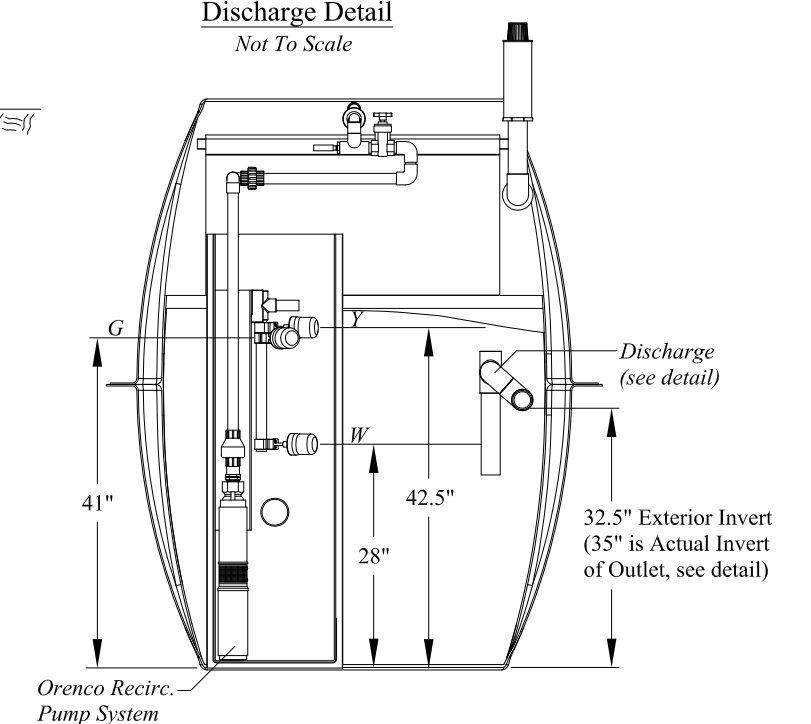
Discharge Detail

Not To Scale



* Primary Tank - Side View

AX25 800 gal. Recirc. Tank - Side View



Discharge Chamber - End View

* 1,250 Gallons minimum capacity for 5 bedrooms
1,500 Gallons minimum capacity for 6 bedrooms.



© Orenco Systems, Inc.
Portions or all of this Standard System Configuration Drawing, as appropriate, may be reproduced and integrated into the site-specific layout and configuration of a system by its designer.

Disclaimer: This Standard System Configuration Drawing is provided solely as a design aid, and in no event should it be used as a replacement for site-specific engineering and design of the layout and configuration of an actual system. Orenco neither represents nor warrants that the configuration illustrated herein will perform in compliance with the requirements for any particular site or application.

Project: AX25RTUV Mode 1B

Description: Details

Drawn By: BEN SMITH

Reviewed By: JS

File Name: NDW-ATX-RT-OH-08

Scale: 1" = 2'-0"

Sheet: 1 OF 1

Rev: A-02 Date: 1/26/2016