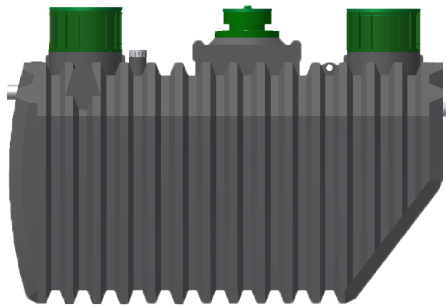
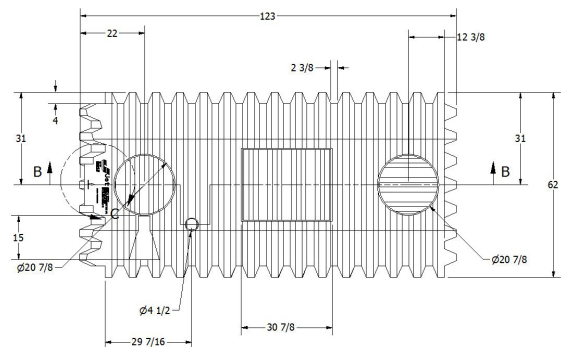


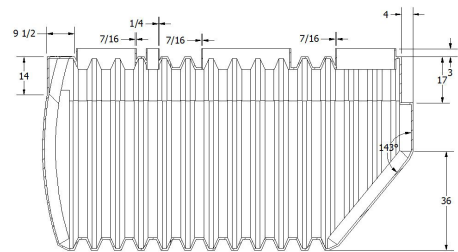
# Jet J-500-800PLT



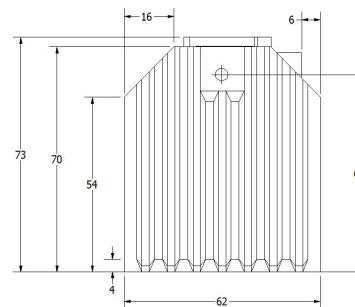
The Jet J-500-800PLT plastic tank offers a light weight alternative to the standard concrete Jet treatment system. The PLT series tanks offer variable treatment capacity from 500 to 800 gallons per day. The PLT series tanks are rotational molded out of light weight, polyethylene material to offer a seamless tank with maximum strength and durability. The PLT series tanks are easy to transport and install in the most difficult site conditions and are locally supported by Jet's global network of trained and certified distributors.



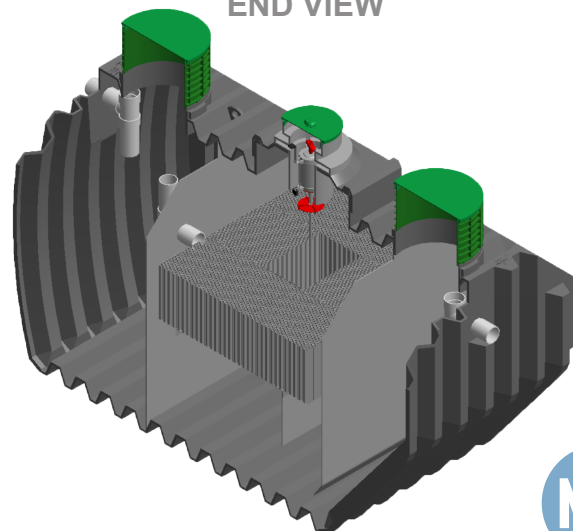
**TOP VIEW**



**SIDE VIEW**



**END VIEW**



Parameter	Units	Value
Functional Capacity	gal (L)	1410 (5337)
Total Capacity	gal (L)	1929 (7302)
Treatment Capacity	GPD	500 -800
Freeboard	in (cm)	12 (30.5)
Nominal Wall Thickness	in (cm)	.625 (1.58)
Length	in (cm)	123 (312)
Width	in (cm)	62 (157)
Total Tank Height	in (cm)	73 (185)
Inlet Height (Invert)	in (cm)	59 (149)
Outlet Height (Invert)	in (cm)	56 (142)
Invert Drop	in (cm)	3 (7.62)
Weight	lbs (kg)	1050 (476)
Compartments	*****	3
Pretreatment Volume	gal (L)	500 (1892)
Treatment Volume	gal (L)	680 (2574)
Clarifier Volume	gal (L)	230 (870)
Maximum Burial Depth	in (cm)	24 (61)
Minimum Burial Depth	in (cm)	9 (23)