

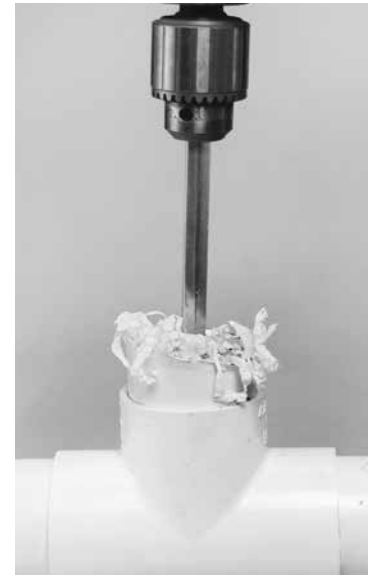


The Original

RAM BIT

Plastic Fitting Saver

Works on PVC or ABS Fittings



Makes in-line repairs and installations.
Reams plastic pipe squarely and accurately below the surface or finished grade.
Ram Bit leaves fittings clean and ready for solvent welding.

SAVES

- Plastic Fittings
- Welded Ball Valves

SAVES TIME

- Cuts 3" & 4" DWV flush, below slab or sub-floor
- Repairing irrigation and swimming pool manifolds
- Repairing sprinkler risers
- Repairing freeze damaged plastic pipe





RAMBIT



Works On:
ABS DWV, PVC DWV,
PVC PRESSURE, CPVC,
RIDGID PVC ELECTRIC CONDUIT



| PART NUMBER | SIZE | CLASS 200* | SCH 40 | SCH 80 | DRILL SIZE |
|-------------|--------|------------|--------|--------|--------------------------------------|
| 3237 | 1/2" | | ✓ | ✓ | 3/8" or heavy duty 3/8" rechargeable |
| 3239 | 3/4" | ✓ | ✓ | ✓ | |
| 3241 | 1" | ✓ | ✓ | ✓ | |
| 3242 | 1-1/4" | ✓ | ✓ | ✓ | |
| 3243 | 1-1/2" | ✓ | ✓ | ✓ | |
| 3244 | 2" | ✓ | ✓ | ✓ | 1/2" variable |
| 3253 | 3" | ✓ | ✓ | | |
| 3254 | 4" | | ✓ | | |



The Drain Key™

Removes Corroded Bath Tub Drains

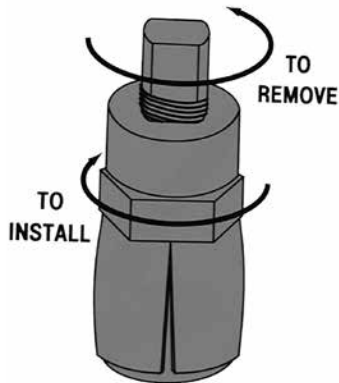
U.S. Patent 6,282,999

It's unique expanding design allows The Drain Key to internally grip in a 360° pattern. The drain Key's steel shoes will not mar chrome or special finishes. Installs and removes tub drains, closet spuds and pipe nipples.

Expands with a crescent wrench to unlock or install:

- Bathtub drains
- 1-1/4" or 1-1/2" Trap (dirty arm) nipples
- 1-1/4" or 1-1/2" closet spuds
- Jr. basket strainers, Jr. duo strainers, tray plug drains and duplex strainers

*Interchangeable steel Drain Key™ shoes sold separately



| PART NUMBER | VOLTS |
|-------------|---------------------------------|
| 4500 | Drain Key |
| 4508 | Replacement set of 3 shoes only |

Smart Dumbbell - The Original

The Original and Still The Best!

Fits all 17 modern tub drain configurations

Installs and removes tub drains and closet spuds



- Installs or removes drains without crossbars (Kohler, American Standard)
- Heavy duty die-cast aluminum
- Prevents scratching of decorative finishes
- Either a crescent wrench or large phillips screwdriver can be used to turn the tool
- Saves time, money and aggravation
- 6" length



| PART NUMBER |
|-------------|
| 4554 |



Quick Nutcracker

Quickly removes corroded 1/2" zinc locknuts from faucet shanks.

- Heat treated cutter blades
- Ball thrust bearings
- Durable black oxide finish
- Will work on faucet shanks with only three threads showing

For use on:

- 1/2" Shank single basin faucet
- 1/2" Shank centerset faucet
- 1/2" Shank kitchen faucets



U.S. Patent 4,365,413

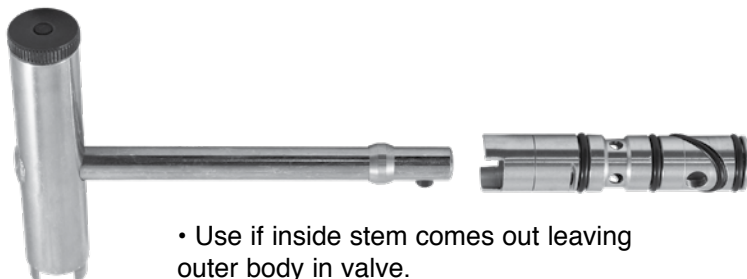
| PART NUMBER | VOLTS |
|-------------|--------------------------------|
| 7000 | Nutcracker ONLY |
| 7010 | Nutcracker Ratchet & Extension |

Moen® Stem and Cartridge Puller - The Original - 2-in-1 Tool

Removes Moen® stems and Moen® cartridges from faucets and shower valves. Also removes the Posi-Temp® tub/shower cartridge.

- Removes brass cartridges
- Removes outer body of stems
- Removes plastic stems & cartridges
- Precision made
- High quality steel components
- One piece construction
- Easy to use

• Pulls cartridge complete



• Use if inside stem comes out leaving outer body in valve.

| PART NUMBER |
|-------------|
| 7040 |

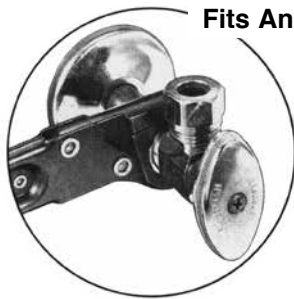
KWIK TITE WRENCH

Get a grip on the installation of angle stops with these two plumber designed tools.

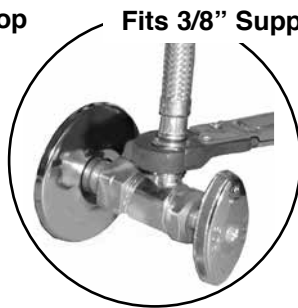
The larger forged steel socket “opens” to attach to an angle stop.
The smaller forged steel socket “opens” to attach to a 3/8” outlet supply nut.



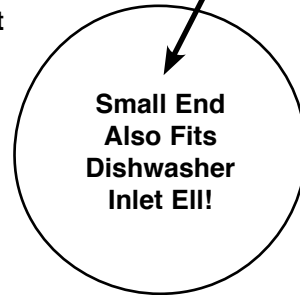
#4524 9” Length



Fits Angle Stop



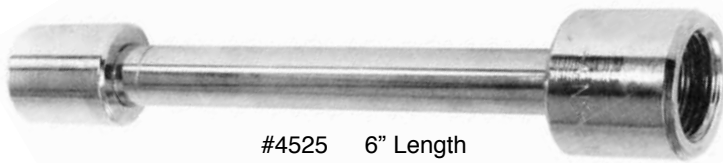
Fits 3/8” Supply Nut



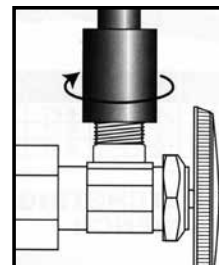
Small End
Also Fits
Dishwasher
Inlet EII!

Don't forget to use with the ANGLE-ON WRENCH

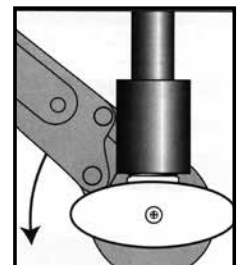
- Fits 3/8” or 1/2” MPT compression outlet threads on angle stops.
- Help protect special finishes. Nickel plated steel and precision machined.



#4525 6” Length



Remove outlet nut and screw on Angle-On



Angle-On acts as a lever for tightening compression angle stops.

| PART NUMBER | DESCRIPTION |
|-------------|-----------------------------------------------------------|
| 4524 | Dual Kwik Tite Wrench ONLY |
| 4525 | Angle-On Wrench ONLY |
| 4528 | Dual Kwik Tite Wrench & Angle-On Wrench packaged together |



Compression Sleeve Puller

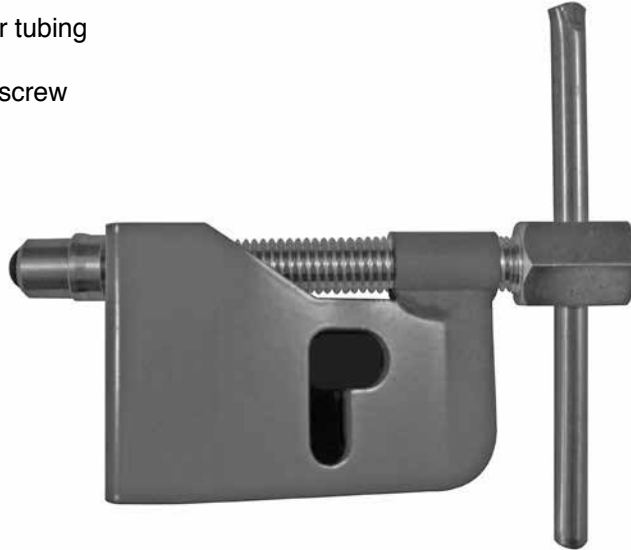
Heavy duty - For 1/2" copper tubing

- Fully machined body and screw
- Designed by plumbing professionals
- Use 3/4" socket

All New Design!



shown in use

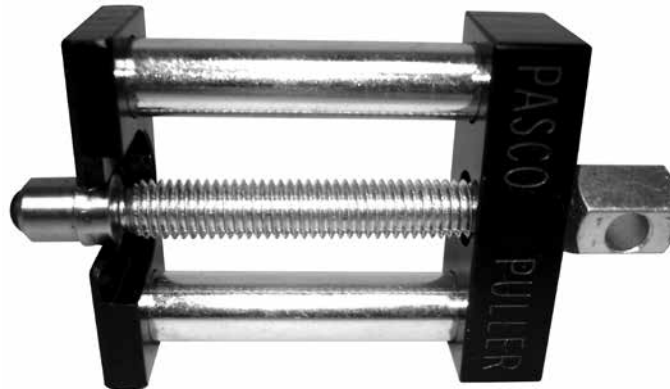


PART NUMBER
4661

Compression Sleeve Puller

Heavy duty - For 1/2" copper tubing

- Use 3/8" ratchet with 3/4" socket
- Removes compressed brass sleeves
- Precision machined
- Extremely durable
- Designed by plumbing professionals



PART NUMBER
4665

Compression Sleeve Puller Bullet Nose

Heavy duty - For 1/2" copper tubing

- Sleeve puller and handle sold separately
- Includes screw

New!



Re-designed bullet nose
will not pull off

PART NUMBER
4664



Big Yank - The Original

- Removes large and small handles
- Economical yet tough
- One piece forged drive bracket
- 4" bracket width
- 5" gripper fingers



PART NUMBER
4659

Big Yank Sr.™ - The Original

The only handle puller that grips faucet handles with 3 fingers!

- One piece forged drive bracket
- Notches in bracket keeps fingers from sliding apart
- Engineered for the professional
- 5" gripper fingers

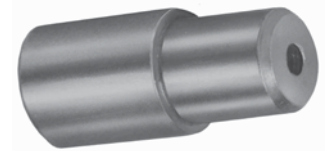


PART NUMBER
4668

Compression Sleeve Puller

Economical for use with handle puller

- This unique tool, combines with a Big Yank handle puller (# 4659) removes installed 1/2" copper compression sleeves and nuts.
- Sleeve puller and handle sold separately.



PART NUMBER
4655

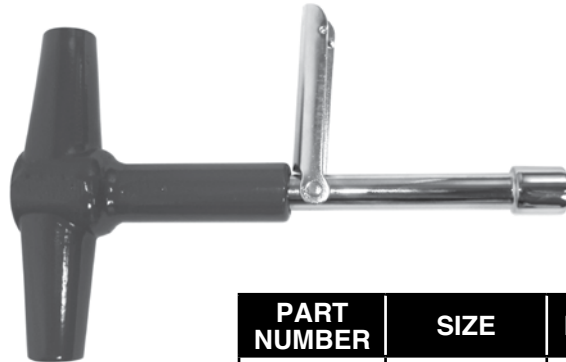




No-Hub Torque Wrench 60 Inch Pounds

- Measures torque when turned in a clockwise direction & ratchets when turned counterclockwise
- Retractable reversing lever
- Chrome vanadium socket
- Tested to tighten up to 10,000 no-hub couplings*
- 5/16" socket

*Test results available



- Used with PASCO couplings in Section "D"



| PART NUMBER | SIZE | LENGTH |
|-------------|-------|--------|
| 7020 | 5/16" | 6" |

No-Hub Heavy Duty Torque Wrench 60 Inch Pounds

- Measures torque when turned in a clockwise direction & ratchets when turned counterclockwise
- When torque value has been reached, the tool will skip to prevent over tightening
- Chrome vanadium socket
- Locking collar
- 5/16" socket

New!



- Used with PASCO couplings in Section "D"

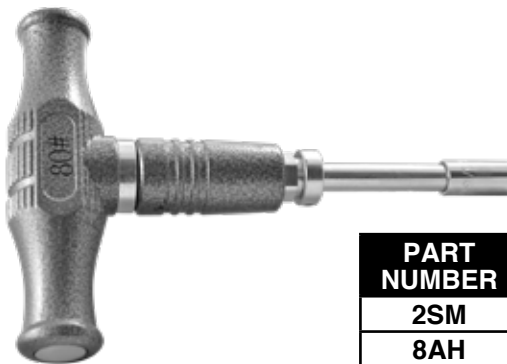


| PART NUMBER | Size |
|-------------|-------|
| 2SH | 5/16" |

No-Hub Heavy Duty Torque Wrench 80 Inch Pounds

- Measures torque when turned in a clockwise direction & ratchets when turned counterclockwise
- When torque value has been reached, the tool will skip to prevent over tightening
- Chrome vanadium socket
- Locking collar

New!



- Used with PASCO Heavy Duty Couplings in Section "D"



| PART NUMBER | Size |
|-------------|-------|
| 2SM | 5/16" |
| 8AH | 3/8" |

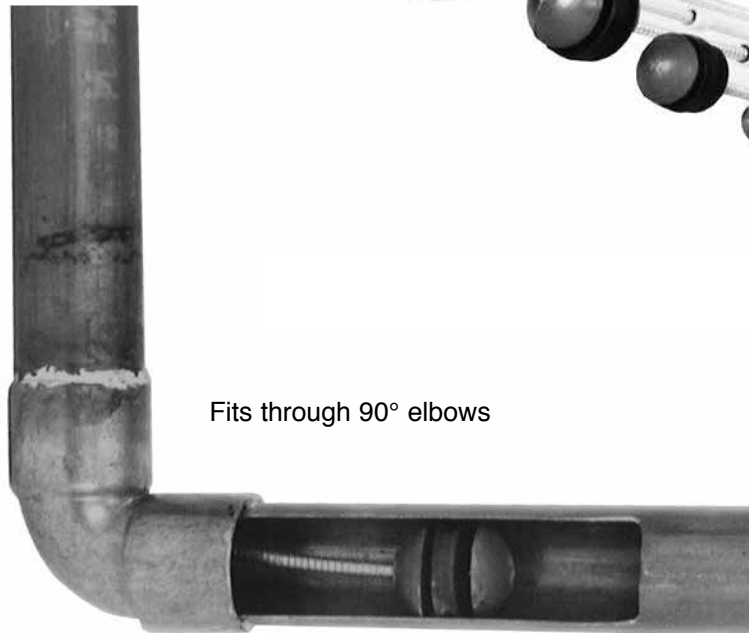


Quick Sweat

**Plumber
Designed!**

Patent Number 5,819,804

- Flexible 24" steel cables will slide through elbows and are interchangeable with the handle to fit different size copper.
- Durable polypropylene handle will fit 1/2" thru 2" cables.
- Long lasting elastomeric plug
- Eliminates "bread" and outperforms all the rest.



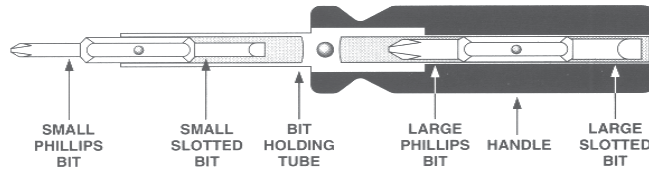
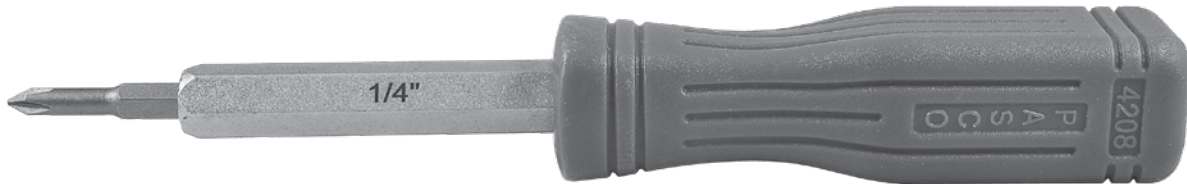
Fits through 90° elbows

| PART NUMBER | SIZE |
|-------------|-------------------------------------------------------|
| 51500 | Tool including: Handle & 1-each 1/2", 3/4", 1" cables |
| 51050 | 1/2" Complete tool |
| 51075 | 3/4" Complete tool |
| 51100 | 1" Complete tool |
| 51125 | 1-1/4" Complete tool |
| 51150 | 1-1/2" Complete tool |
| 51200 | 2" Complete tool |
| 51040 | Handle ONLY |
| 51012 | 1/2" Cable ONLY |
| 51034 | 3/4" Cable ONLY |
| 51010 | 1" Cable ONLY |
| 51114 | 1-1/4" Cable ONLY |
| 51115 | 1-1/2" Cable ONLY |
| 51120 | 2" Cable ONLY |



6-in-1 Screwdriver

- 1/4" Hex - 5/16" Hex
- 12 Pack display when ordering a quantity of 12 or more.



| PART NUMBER | DESCRIPTION |
|-------------|----------------------------|
| 4208 | 6-in-1 screwdriver 12 pack |
| 4208-C | Carded screwdriver |



PASCO "SET OF REDS"

Quick Set Pliers

- Easily fit 1-1/2" slip joint nuts
- Forged and chromed
- Vinyl grip handles



| PART NUMBER | LENGTH |
|-------------|--------|
| 4063 | 10" |

"Big Red" Tape Measure

- Unbreakable Cycholac case
- Power return
- Belt clip
- Yellow tape
- Now Showing Fractions on tape

New!



| PART NUMBER | SIZE |
|-------------|----------|
| 3945 | 1" x 25' |

Utility Knife

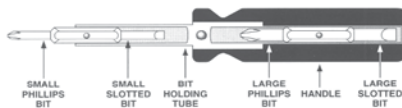
- Retractable



| PART NUMBER | DESC. | # PER PACK |
|-------------|-------------------------|------------|
| 4323 | Knife w/ 2 extra blades | 1 |
| 4325 | Extra Blades | 5 |

6-in-1 Screwdriver

- 1/4" Hex - 5/16" Hex
- 12 Pack display when ordering a quantity of 12 or more.



| PART NUMBER | DESCRIPTION |
|-------------|----------------------------|
| 4208 | 6-in-1 screwdriver 12 pack |
| 4208-C | Carded screwdriver |

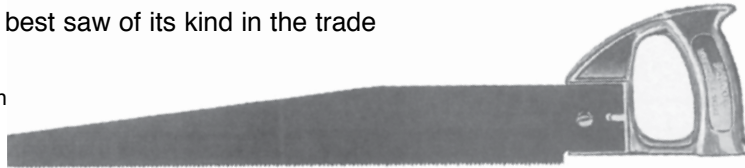


Journeyman Plastic Pipe Saws - The Original

- Cuts PVC, ABS, wood and drywall
- Unbreakable aluminum die cast handle
- Large, comfortable grip
- Flame hardened blade
- The best saw of its kind in the trade

Since 1973

Handle Made in U.S.A.



| PART NUMBER | DESCRIPTION |
|-------------|---------------------------|
| 4331 | Complete "Mity Mite" Saw |
| 4331-B | 13" "Mity Mite" Blade |
| 4333 | Complete "Journeyman" Saw |
| 4333-B | 18" "Journeyman" Blade |
| 4333-H | "Journeyman" Saw Handle |

Tiny Tim Hacksaw - The Original

- Cuts steel & brass
- Vinyl grip handle
- Display carded
- Blades sold in reusable tube

Since 1946



| PART NUMBER | DESCRIPTION |
|-------------|-------------------------|
| 4290 | Hacksaw w/Blade |
| 4292 | Extra Blades 10/package |

Pull Plastic Pipe Saw

- Cuts plastic pipe
- Smooth, fast and accurate cutting
- Pull cutting action



| PART NUMBER | DESCRIPTION |
|-------------|-----------------|
| 4338 | Saw w/12" Blade |
| 4338-B | 12" Blade |
| 4339 | Saw w/8" Blade |
| 4339-B | 8" Blade |

Hacksaw

- High quality plated steel saw with 1/2" x 6" or 1/2" x 12" tempered blade.
- Five times stronger than standard mini hacksaws



| PART NUMBER | DESCRIPTION |
|-------------|--------------------------------|
| 4695 | 6" Heavy Duty Maximum Hacksaw |
| 4695B | 6" Blades Only |
| 4696 | 12" Heavy Duty Maximum Hacksaw |
| 4696B | 12" Blades Only |

Super Hacksaw

- Comfort front end grip
- Stores extra blades
- Cuts flush to surface



| PART NUMBER | SIZE | BLADE SUPPLIED |
|-------------|------|----------------|
| 4267 | 4" | 12" |

Hacksaw Blades

Bi-Metal Tough Cut Blades



| PART NUMBER | TEETH PER INCH | BLADE LENGTH |
|-------------|----------------|--------------|
| 4217 | 18 | 12" |
| 4218 | 24 | 12" |



“Pro-Cut” Plastic Pipe Cutters

- Superior quality, heavy duty
- Coated handles
- Built for constant use
- Stainless steel blade

Plumbers Favorite



*1” Plastic Pipe Cutter



*2” plastic pipe cutter

| PART NUMBER | DESCRIPTION |
|-------------|-------------------------|
| 4658 | 1” Pipe Cutter Complete |
| 4658-B | Blade ONLY |
| 4654 | 2” Pipe Cutter Complete |
| 4654-B | Blade ONLY |

PVC Pipe Cutter

- Cuts up to 1” PVC Pipe - all schedules!
- Cuts up to 1” CPVC



| PART NUMBER | DESCRIPTION |
|-------------|-------------|
| 4657 | Complete |
| 4657-B | Blade ONLY |

Soft Pipe Cutter

- For cutting soft pipe and hose
- Heavy duty die cast
- Cuts up to 2” soft tubing
- Reversible Blade



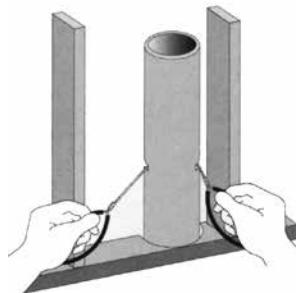
The best cutter manufactured!

| PART NUMBER | DESCRIPTION |
|-------------|-------------|
| 4682 | Complete |
| 4682-B | Blade ONLY |

Cable Saw

For fast cutting of PVC and irrigation pipe

- 24” Stainless steel cable
- Great for tight spots, need only 1/4” clearance
- Easily stored
- 30” Overall



| PART NUMBER | DESCRIPTION |
|-------------|------------------|
| 4336-S | Strip pack of 10 |



Inside Plastic Pipe Cutter

- Fits 3/8” and larger drills



| PART NUMBER | DESCRIPTION |
|-------------|-------------------|
| 3290 | Pipe Cutter |
| 3290-B | 2 Blades per pack |



Bi-Metal Tough Cut Reciprocating Saw Blades



| PART NUMBER | LENGTH | TEETH PER INCH | CUTS THESE MATERIALS |
|-------------|--------|----------------|---------------------------------------------------------------------|
| 3809 | 6" | 10T | Light, Non-ferrous metals, nail embedded woods, cast aluminum. |
| 3810 | 6" | 14T | Heavy gauge metals, 1/8" conduit, pipe, tubing and galvanized pipe. |
| 3811 | 6" | 18T | Metals to 1/8". Conduit, pipe, tubing and galvanized pipe. |
| 3812 | 6" | 24T | Finer teeth for faster cutting of metal to 1/8", galvanized pipe. |



| PART NUMBER | LENGTH | TEETH PER INCH | CUTS THESE MATERIALS |
|-------------|--------|----------------|-------------------------------------------------------------------------------------------------------------------------------------------------------|
| 3820 | 9" | 10/14T | .050 Thick x 3/4" Wide super model for cast iron pipe. Teeth vary alternately from 10 to 14 per inch which reduces vibration and makes smoother cuts. |



| PART NUMBER | LENGTH | TEETH PER INCH | CUTS THESE MATERIALS |
|-------------|--------|----------------|-----------------------------------------------------------------|
| 3813 | 6" | 6T | Fast cutting of all woods, nail embedded general roughing work. |
| 3816 | 12" | 6T | Same as #3813 above |



| PART NUMBER | LENGTH | TEETH PER INCH | CUTS THESE MATERIALS |
|-------------|--------|----------------|------------------------------------------------------------------------------------------------------------------------|
| 3814 | 8" | 10T | All woods, composition, plastics, 4" diameter pipe, cast iron, nail embedded woods, general metal cutting, fiberglass. |

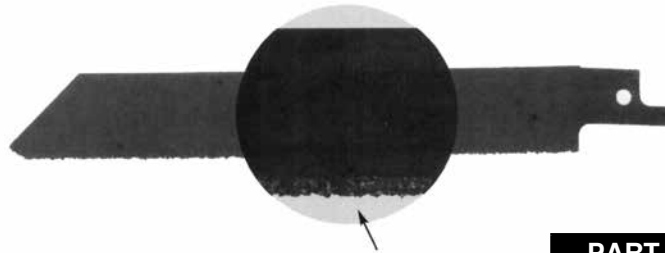


| PART NUMBER | LENGTH | TEETH PER INCH | CUTS THESE MATERIALS |
|-------------|--------|----------------|---------------------------------------------------------|
| 3808 | 6" | 6T | Plastic, lath, sheet rock, fiber board, particle board. |



Reciprocating Saw Blade - Carbide Grit

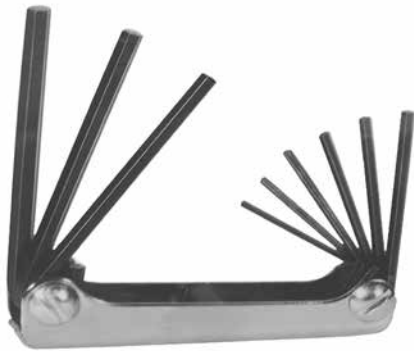
- 3/4" Width
- Fits most reciprocating saws
- Flexible alloy steel
- Diamond hard tungsten carbide grit makes this blade last up to 20 times longer than conventional reciprocating blades



| PART NUMBER | SIZE | SIZE |
|-------------|------|--------|
| 3835 | 6" | Medium |
| 3845 | 8" | Medium |

Hex Key Tool Caddy

- Keys are #8650 chrome nickle alloy steel
- Close tolerance assures precise fit into hex socket
- Hardened and tempered for maximum durability



| PART NUMBER | NO. OF KEYS | KEY SIZES |
|-------------|-------------|-------------------------------------------------------------|
| 3040 | 9 Keys | 5/64", 3/32", 7/64", 1/8", 9/64", 5/32", 3/16", 7/32", 1/4" |
| 3041 | 8 Keys | .050", 1/16", 5/64", 3/32", 7/64", 1/8", 9/64", 5/32" |



Hex Key Tool Caddy



| PART NUMBER | KEY SIZES |
|-------------|-----------------------------------------------------------------------------------------------------|
| 4575 | .28", .035", .050", 1/16", 5/64", 3/32", 7/64", 1/8", 9/64", 5/32", 3/16", 7/32", 1/4", 5/16", 3/8" |





Copper, Brass & Stainless Steel Tubing Cutter

- Superior quality
- Enclosed feed mechanism
- Removable deburring tool located inside cutter frame
- Cuts up to 1-1/2"
- Spare blade in handle

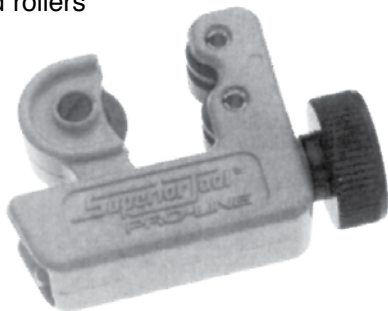


*Replacement blade

| PART NUMBER | DESCRIPTION |
|-------------|-------------------|
| 37610 | Cuts up to 1-1/2" |
| 37610-B | Replacement Blade |

Mini Tubing Cutter

- Cuts up to 1" copper
- Grooved rollers

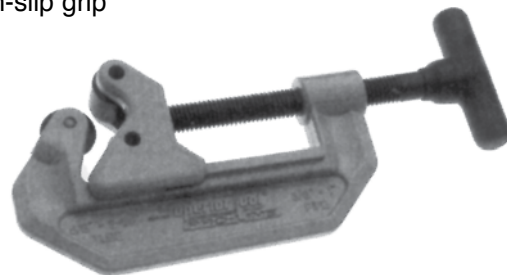


| PART NUMBER | DESCRIPTION |
|-------------|---------------------------|
| 35180 | Cuts 1/8" - 1-1/8" Tubing |
| 42835 | Separate Cutter Wheel |



Tubing and Pipe Cutter

- Cuts 1" IPS or 2" Copper
- Strong, yet lightweight
- Non-slip grip



| PART NUMBER | DESCRIPTION |
|-------------|---------------------------------|
| 36878 | Cuts 5/8 - 2-1/8" IPS or 2" CWT |
| 42348 | Separate Cutter Wheel |



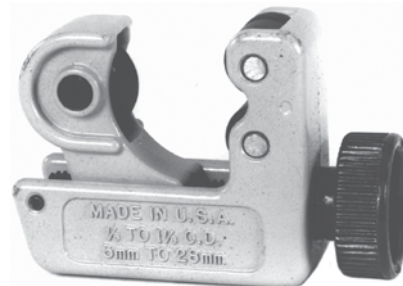
Economy Tubing Cutter

- Grooved roller
- Retractable reamer



| PART NUMBER | DESCRIPTION |
|-------------|----------------------------|
| 4350 | Cuts 1/8" to 1-1/8" Tubing |
| 4349 | Blades |

Mini Tubing Cutter

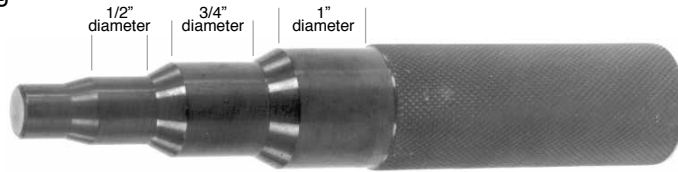


| PART NUMBER | DESCRIPTION |
|-------------|--------------------------|
| 4351 | Cuts 1/8" to 7/8" Tubing |



Swedging Tool

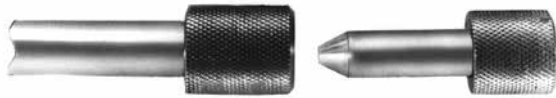
- For "M" Copper tubing



| PART NUMBER | SIZE |
|-------------|------------------|
| 4330 | 1/2" - 3/4" - 1" |

Copper Sizing Tools

- Impact type to re-round copper tubing
- For "M" Copper tubing



| PART NUMBER | SIZE |
|-------------|------|
| 4343 | 1/2" |
| 4344 | 3/4" |
| 4345 | 1" |

Copper Tube Flare Punches

- Soft copper tubing



| PART NUMBER | SIZE |
|-------------|------|
| 4367 | 3/4" |
| 4368 | 1" |

Economy Flaring Tool

- For O.D. sizes:
- 3/16", 1/4", 5/16", 3/8", 1/2", 5/8"
- Makes smooth flare



| PART NUMBER |
|-------------|
| 4360 |

Spark Lighters

- Round, Single, or Triple Flint
- Large hood traps more gas
- File rotates providing a fresh surface for the flint
- Flints good for 1,500 ignitions



4430



4437
Triple flint

| PART NUMBER | DESCRIPTION | PKG. |
|-------------|------------------|------|
| 4430 | Lighter | 10 |
| 4432 | Extra Flints | 5 |
| 4437 | Shurlite Lighter | 1 |
| 4438 | Extra Flints | 1 |






Chip and Oil Brush



| PART NUMBER | SIZE |
|-------------|------|
| 4647 | 1" |
| 4649 | 2" |


Natural Bristle Acid Brushes

- #1, #2, #4 Brushes sold 144 pieces per box
- #7 Brushes sold 36 pieces per box




| PART NUMBER | SIZE | HANDLE MATERIAL |
|-------------|------|-----------------|
| 46501 | #1 | Metal |
| 46512 | #2 | Metal |
| 46524 | #4 | Metal |
| 46537 | #7 | Wood |

Wire Brushes



| PART NUMBER | SIZE | HANDLE |
|-------------|--------------------|--------|
| 4480 | 3 Rows of 19 Tufts | Long |
| 4482 | 3 Rows of 19 Tufts | Short |




Copper Deburring Tool - Reamer

- Die Cast
- Deburrs up to 1-1/4" copper or CPVC




| PART NUMBER | SIZE |
|-------------|---------------|
| 4356 | 1/2" - 1-1/4" |

Copper Pipe Deburring Tools with Plastic Handles



Pen Style with Pocket Clip



*Sold with 4 extra blades stored in the handle

| PART NUMBER | STYLE |
|-------------|--------------------|
| 5103 | Pen Style |
| 5104 | *Tool w/ 4 Blades |
| 5105 | *5 Blades per Pack |



Strap Wrenches

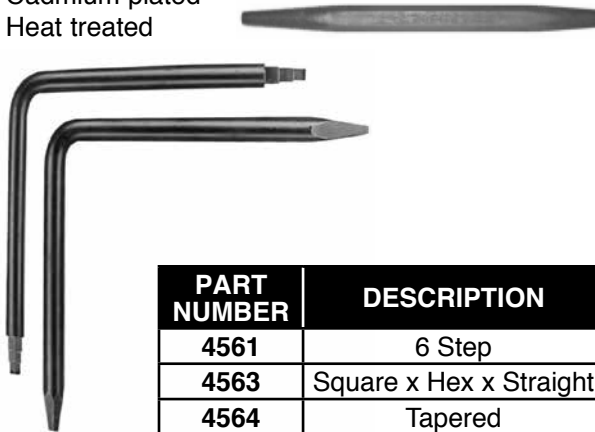
- Ideal for chrome pipe nipples
- Will not mar chrome, fittings & nipples



| PART NUMBER | SIZE |
|-------------|------|
| 4542 | 7" |
| 4543 | 11" |

Bibb Seat Tools

- For all faucet seats
- Cadmium plated
- Heat treated



| PART NUMBER | DESCRIPTION |
|-------------|-------------------------|
| 4561 | 6 Step |
| 4563 | Square x Hex x Straight |
| 4564 | Tapered |

Professional Faucet Reseater Kit

- KIT INCLUDES:
- 4- Harden steel cutters for various size faucets
 - 1- Guide cone
 - 4- Faucet washers
 - 1- Solid brass screw
 - 1- Long shaft for tub & showers



| PART NUMBER |
|-------------|
| 4565 |

Bibb Seat Tool Set

- SET INCLUDES:
- 1- 3/8" x 7/16" ratcheting box wrench
 - 1- Small hex/large hex tapered bibb seat tool
 - 1- Small square/large square no taper bibb seat tool



Packed in a sturdy, sealable plastic case.

| PART NUMBER |
|-------------|
| 4568 |

"The Best" Bibb Seat Tool

- Left hand threads - sure grip



| PART NUMBER |
|-------------|
| 4566 |

Sillcock Key

- Die Cast



| PART NUMBER | SIZE |
|-------------|-------|
| 1700 | 5/16" |

Heater Furnace Loglighter Keys

- Die Cast



| PART NUMBER | SIZE | LENGTH |
|-------------|-------|--------|
| 1705 | 5/16" | 2-1/4" |
| 1706 | 1/4" | 10" |
| 1707 | 5/16" | 10" |

4-Way Key

- Fits stopcocks, sillcocks and valves
- Sizes are 1/4" to 9/32" and 5/16" to 11/32"
- Die Cast
- Key chain loop



| PART NUMBER |
|-------------|
| 1701 |

Hex Screw and Nut Setter

- Use with 1/4" drill to drive hex sheet metal and anchor screws.
- Magnetic socket
- Heat treated
- 1/4" Drill shank



| PART NUMBER | SIZE | BODY DIAMETER |
|-------------|-------|---------------|
| 1594 | 1/4" | 7/16" |
| 1595 | 5/16" | 1/2" |

Setting Tool

- Plated steel



| PART NUMBER | SIZE |
|-------------|--------------|
| 1552 | 3/8" or 1/2" |



Valve Stem Lube Heat Proof Grease

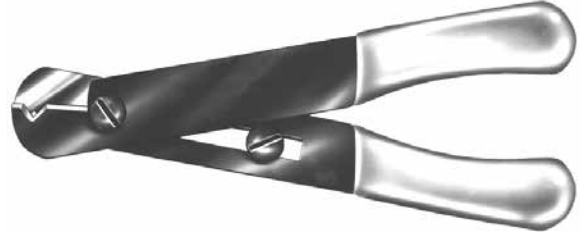
- Use on water or steam
- Apply to stems of faucets, packing, plungers, ball cocks, valves & washers
- Food grade



| PART NUMBER |
|-------------|
| 3155 |

Wire Stripper

- Adjusting stop on the gripping handles permits adjustment for wire size
- Vinyl grip handles



| PART NUMBER |
|-------------|
| 4107 |

Nut Driver



| PART NUMBER | SIZE |
|-------------|-------|
| 4129 | 5/16" |

"Drop In" Half Barrel Type Caulking Gun



| PART NUMBER |
|-------------|
| 5100 |

Cellulose Sponges

- Excellent for drying and cleaning up
- For cleaning up tanks, lavatories, shower liners and leaking traps
- Yellow color



| PART NUMBER | SIZES |
|-------------|---------------------------|
| 5184 | 6" x 4-1/4" x 1-11/16" |
| 5185 | 7-1/2" x 4-1/2" x 2-1/16" |



Copper Fitting Brushes

- Economy
- Wire loop handle
- 2-Ply carbon steel bristles
- For bulk pricing add - BLK to part number
- “A” Quality
- 2 Wire model
- High carbon crimped
- Steel bristles
- “AA” Quality
- 4 Wire model
- Double construction from stainless steel wire



| PART NUMBER | SIZE |
|-------------|--------|
| 5139 | 1/2" |
| 5141 | 3/4" |
| 5143 | 1" |
| 5144 | 1-1/4" |
| 5145 | 1-1/2" |
| 5146 | 2" |



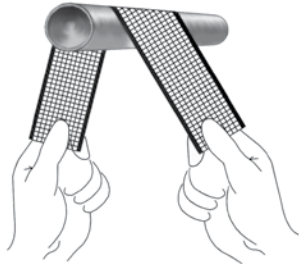
| PART NUMBER | SIZE |
|-------------|--------|
| 5113 | 3/8" |
| 5114 | 1/2" |
| 5116 | 3/4" |
| 5118 | 1" |
| 5119 | 1-1/4" |
| 5120 | 1-1/2" |
| 5121 | 2" |



| PART NUMBER | SIZE |
|-------------|--------|
| 5126 | 1/2" |
| 5128 | 3/4" |
| 5130 | 1" |
| 5131 | 1-1/4" |
| 5132 | 1-1/2" |
| 5133 | 2" |

Plumbers Open Mesh Sand Cloth

- Waterproof
- 180 Grit
- Aluminum oxide



7.5 Yards
New More Convenient Size



| PART NUMBER | SIZE |
|-------------|-----------|
| 3108 | 7.5 Yards |

4-in-1 Fitting Brush

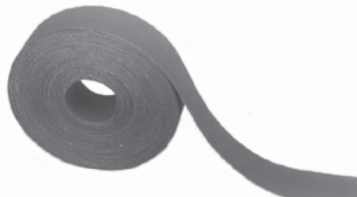
- Tube cleaning and fitting brush
- High impact plastic & high carbon steel bristles
- Replaceable brushes
- 1/2" and 3/4" copper



| PART NUMBER | DESCRIPTION |
|-------------|----------------------------------------------------|
| 5150 | Complete 4-in-1 Brush |
| 5150-R | Replacement brush kit includes 2 ID & 2 OD brushes |

Plumbers Sand Cloth

Specially formulated for use in preparing copper fittings and tubing for soldering 120 grit aluminum oxide.



| PART NUMBER | SIZE |
|-------------|----------|
| 3102 | 10 Yards |

Copper Tube Brush

- The finest manufactured
- Cleans copper water tube end for soldering



Sizes indicated are nominal copper

| PART NUMBER | SIZE |
|-------------|------|
| 5153 | 1/2" |
| 5155 | 3/4" |
| 5157 | 1" |





Nipple Boxes

- Holds CL thru 6" nipples
- Fold away handle
- Epoxy coated steel
- Light weight yet strong

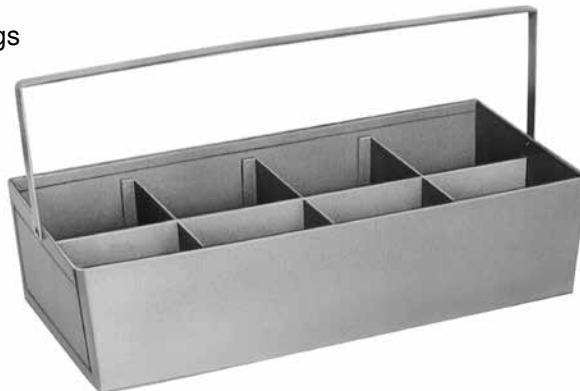


| PART NUMBER | SIZE | HOLDS |
|-------------|--------|-------|
| 3080 | 1/2" | 77 |
| 3081 | 3/4" | 66 |
| 3082 | 1" | 50 |
| 3083 * | 1-1/4" | 40 |
| 3084 | 1-1/2" | 30 |
| 3085 | 2" | 27 |



Fitting Tote Tray

- Excellent for copper fittings
- 18 Gauge
- 20" x 10" x 5"
- Fold away handle
- Epoxy coated steel



| PART NUMBER | DESCRIPTION |
|-------------|-----------------|
| 3088 | With 8 dividers |
| 3088-LD | No dividers |



1/2" and 3/4" Combo Nipple Box

- Holds both 1/2" and 3/4" nipples
- Holds (39) 1/2" CL thru 6"
- Holds (33) 3/4" CL thru 6"
- Fold away handle
- Epoxy coated steel



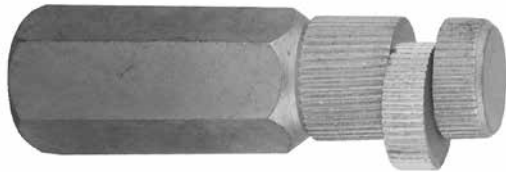
| PART NUMBER |
|-------------|
| 3091 |





Internal Nipple Wrench

- CAM Type
- Removes or inserts
- Heat treated
- Cadmium plated



| PART NUMBER | NIPPLE SIZE |
|-------------|-------------|
| 4531 | 1/2" |
| 4532 | 3/4" |
| 4533 | 1" |

Thread & Nipple Key

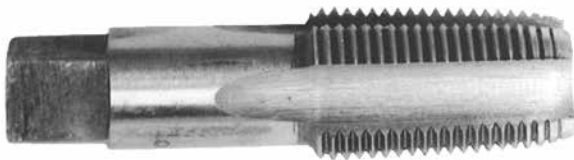
- Unlocks any thread or nipple
- Excellent for chrome work
- Precision machined and hardened
- Loosens and tightens
- Designed to grip internally
- Removes broken nipple threads from fittings



| PART NUMBER | SIZES |
|-------------|--------------------------|
| 4511 | 1/2" IPS Internal Wrench |
| 4512 | 3/4" IPS Internal Wrench |
| 4513 | 1" IPS Internal Wrench |

Pipe Taps

- High carbon steel
- Tapered thread taps



| PART NUMBER | PIPE SIZE | NO. OF NPT | TAP DRILL SIZE |
|-------------|-----------|------------|----------------|
| 4812 | 1/8" | 27 | 1/8" |
| 4813 | 1/4" | 18 | 7/16" |
| 4814 | 3/8" | 18 | 37/64" |
| 4815 | 1/2" | 14 | 45/64" |
| 4816 | 3/4" | 14 | 59/64" |
| 4817 | 1" | 11-1/2 | 1-5/32" |
| 4818 | 1-1/4" | 11-1/2 | 1-1/2" |
| 4819 | 1-1/2" | 11-1/2 | 1-47/64" |
| 4820 | 2" | 11-1/2 | 2-7/32" |

Nipple and Screw Extractors

- Removes nipples, bolts and screws
- Left hand spiral tapered flute removes broken piece without thread damage



| PART NUMBER | IND ID# | PIPE SIZE | DRILL SIZE | BOLT SCREW SIZE |
|-------------|---------|-----------|------------|------------------|
| 4827 | 4 | 1/8" | 1/4" | 9/32" to 3/8" |
| 4828 | 5 | 1/4" | 19/64" | 3/8" to 5/8" |
| 4829 | 6 | 3/8" | 13/32" | 5/8" to 7/8" |
| 4830 | 7 | 1/2" | 17/32" | 7/8" to 1-1/8" |
| 4831 | 8 | 3/4" | 13/16" | 1-1/8" to 1-3/8" |
| 4832 | 9 | 1" | 1-1/16" | 1-3/8" to 2" |



Price Pfister® Special Shower Valve Socket Wrench

Fits both bonnet and packing nuts on Price-Pfister® Shower Valve Stems.

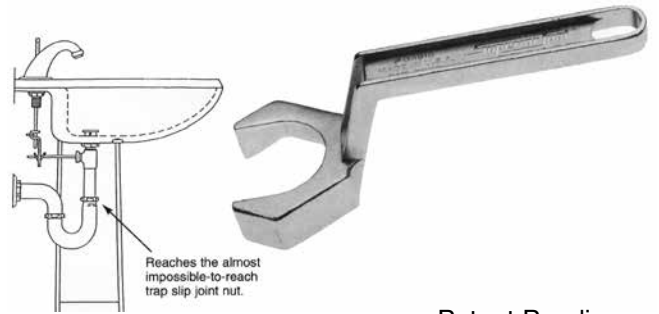
- Fits 31/32" stem bonnet nuts
- Fits 27/32" stem packing nuts
- 50% longer than regular shower valve wrenches
- Overall length allows socket to reach well into tile covered walls



| PART NUMBER |
|-------------|
| 5310 |

Pedestal Sink Wrench

- Offset design allows user to reach tailpiece and trap slip joint nuts
- Permits trap and drain line installation or removal with pedestal sink in place.



Patent Pending



| PART NUMBER | SIZE |
|-------------|--------|
| 43914 | 1-1/4" |
| 43915 | 1-1/2" |

Shower Valve Socket Set - Professional Quality

- Heavy duty
- Each socket is 20% longer than the import
- High quality steel



| PART NUMBER | DESCRIPTION |
|-------------|--------------|
| 5300XH | Complete Set |

Import Shower Valve Socket Set

- High quality steel

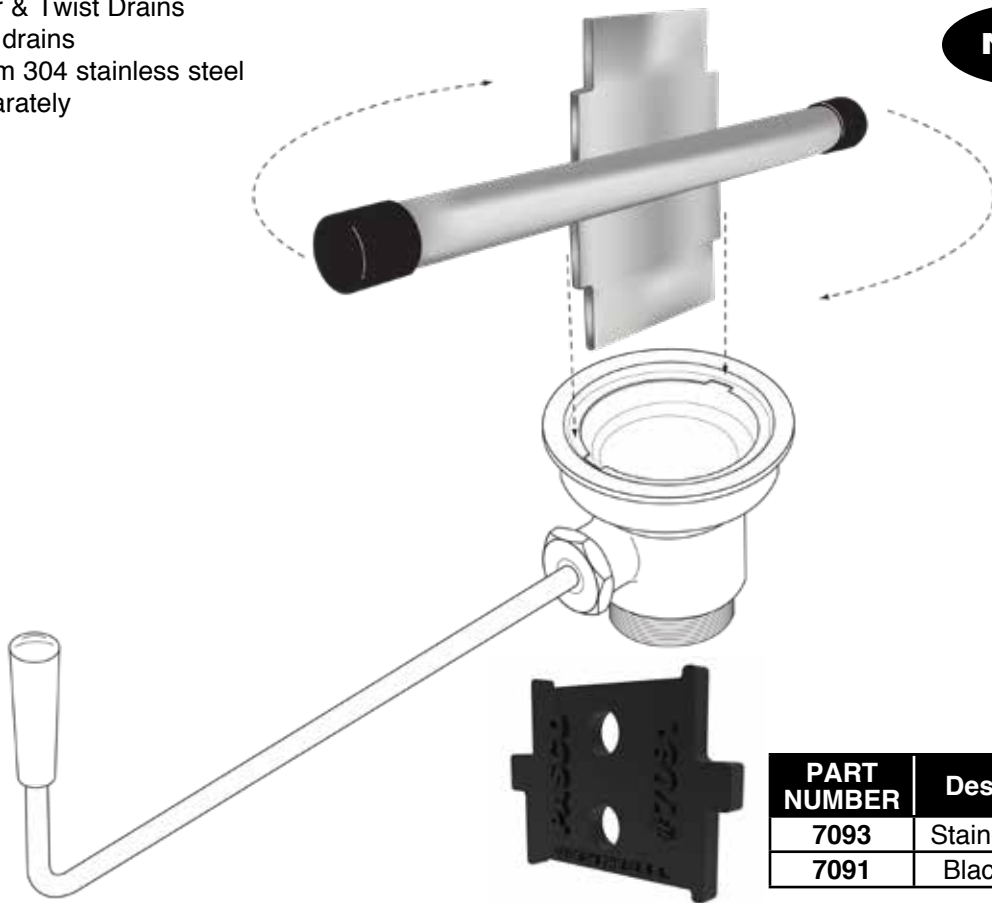


| PART NUMBER | DESCRIPTION |
|-------------|--------------|
| 5300 | Complete Set |

Commercial Sink Drain Tool

- Removes Lever & Twist Drains
- Fits 3" & 3-1/2" drains
- Constructed from 304 stainless steel
- Drain Sold Separately

New!



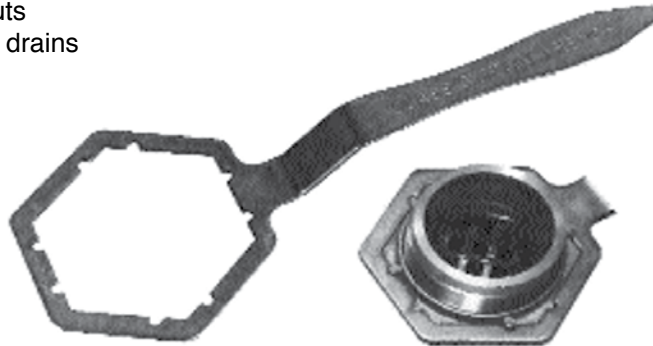
| PART NUMBER | Description |
|-------------|-----------------|
| 7093 | Stainless Steel |
| 7091 | Black Plastic |



Classic Drain Wrench

Tightens most fiberglass shower stall drain locknuts and die cast basket strainer locknuts.

- Fits 3-1/2" plastic locknuts
- Fits 3-3/8" die cast basket strainer locknuts
- Fits brass locknuts on brass shower stall drains
- Stamped steel
- 13" overall length
- Offset handle for close quarter work
- Cushion grip



| PART NUMBER |
|-------------|
| 7095 |





Basin Wrenches



- For use on basin nuts, ballcocks & flush valves
- Cadmium plated
- Jaw has springs
- Swivel head operates right or left

Regular Basin Wrench

| PART NUMBER | DESCRIPTION | SIZE | EXTENDS |
|-------------|--------------------------|------|-----------------|
| 4574 | Regular Basin Wrench | 11" | Does not Extend |
| *4590 | Regular Basin Wrench | 15" | Does not Extend |
| 4573 | Telescoping Basin Wrench | 0" | 9" to 16" |
| *4573-L | Telescoping Basin Wrench | 0" | 9" to 16" |



- Extends from 9" to 16"
- Swivel jaw with spring
- Extra large jaw on
- 4573-L fits single lever faucet locknuts
- *Large jaw fits up to 2" locknuts

Telescoping Basin Wrench

Plumbers Combo Wrench

This all new wrench combines the features of 4 similar wrenches, including the Super Wrench. Designed for use on:

- Closet spuds
- Urinal spuds
- Kitchen basket strainers
- Urinal flush valves
- Compact 10" length



PART NUMBER
4556

Quick Set Drain Wrench

- Tightens or removes shower drains with internal locknut, (like our #7980)
- 10" overall length
- Plastic coated handle



PART NUMBER
7099



Closet Seat Nut Wrench

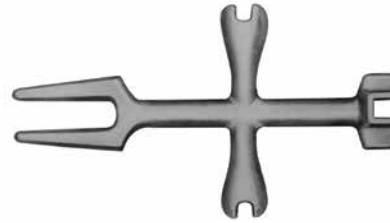
- Fits any length bolt
- Fits 99% of closet seat nuts
- Die cast



PART NUMBER
4557

PO Plug Wrench

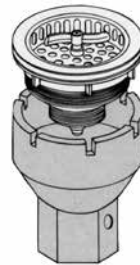
- Removes PO plugs and tub drains



PART NUMBER
4555

4-in-1 Strainer Wrench

- Fits 3-3/8" strainer locknut
- 5-1/2" length
- Super tough Lexan plastic
- Slotted inserts that conveniently fit the standard slotted sink basket strainer locknuts



Tool ONLY
PART NUMBER
4948



Adjustable Spud Wrench

- 10" Length
- 1" to 3" Capacity
- For slip nuts, locknuts and strainer nuts

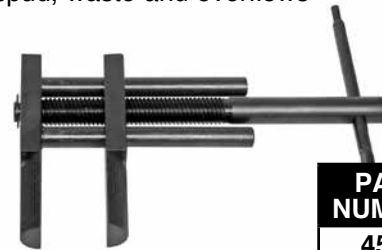


PART NUMBER
4571

Internal Spud Wrench

New Design!

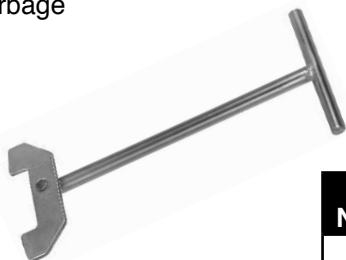
- A must to install or remove urinal and closet spud, waste and overflows
- 4" capacity
- Cushioned grip
- High quality



PART NUMBER
4562

Garbage Disposal Wrench

- For releasing jammed garbage disposers
- 1/2" Steel
- 10" Length



PART NUMBER
4943

Basket Strainer Wrench

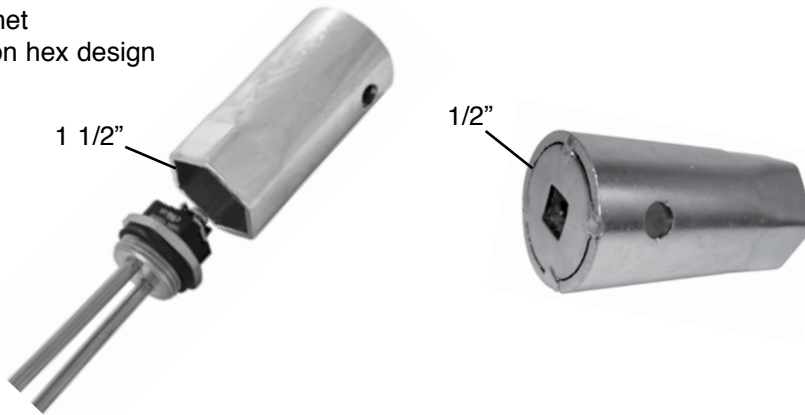
- Zinc plated steel
- Handle slides



PART NUMBER
4949

New Design Heavy-Duty Water Heater Element Wrench

- 1 1/2" socket size
- Now use 1/2" ratchet
- Use pipe wrench on hex design



PART NUMBER
4946

Radiator Air Vent Wrench 3-Way



PART NUMBER
4947

Radiator Spud Wrench



PART NUMBER
4558

Sprinkler Nipple Extractor

- For plastic risers
- Not for Brass
- Irrigation



PART NUMBER
4498

Putty Knives

- High carbon cutlery steel
- Highly polished



| PART NUMBER | BLADE |
|-------------|----------|
| 4116 | Flexible |
| 4117 | Stiff |



Professional Wear-A-Day Disposable Gloves

- Blue, powder-free latex
- Plumber grade
- Sold by the box
- 50 per box
- 15 mil latex



| PART NUMBER |
|-------------|
| 952M |
| 952L |
| 952XL |
| 952XXL |

Glove Dispenser



| PART NUMBER | DESCRIPTION |
|-------------|--------------------------------|
| 952-D* | Glove dispenser |
| 952-DL | Large gloves w/dispenser |
| 952-DXL | Extra large gloves w/dispenser |

Disposable Gloves - Black

- Powder-free nitrile
- Sold by the box



| PART NUMBER |
|-------------|
| 950L |
| 950XL |

Atlas® Nitrile Tough 370 Gloves - Black/Grey

Long cuff & dark grey coating

- Grips
- Won't slip when wet
- Durable
- Resists solvent cement

New!



| PART NUMBER |
|-------------|
| 370M |
| 370L |
| 370XL |

Atlas® Nitrile 380 - Blue/Black

Waffle Pattern Palm

- Lint free nylon liner
- Compressed air-infused foam nitrile coating
- Waffle pattern provides good grip in wet conditions
- Heavy duty

New!



| PART NUMBER |
|-------------|
| 380M |
| 380L |
| 380XL |

Atlas® Fit 300 - Blue

The original palm coated glove!

- Natural rubber coating
- Breathable back
- Seamless knit liner
- Outstanding grip
- Ergonomic fit

New!



| PART NUMBER |
|-------------|
| 300M |
| 300L |
| 300XL |



Jersey Gloves

Cold weather favorite!

- Knit wrist in seal brown
- 9 oz. fabric
- 100% Cotton or Blend

New!



| PART NUMBER | SIZE |
|-------------|-------|
| 403 | Large |

Cotton Gloves

- 8 oz. cotton glove
- Knit wrist
- Large size only



| PART NUMBER |
|-------------|
| 641 |

Stallion Gloves

Best selling work glove in the industry

- Split leather palm glove
- Clute cut with 100% cotton fabric back
- Large size only



| PART NUMBER |
|-------------|
| 1290 |

Double Palm Gloves

- Wears especially well in uses such as handling a drain cleaning cable
- Large size only

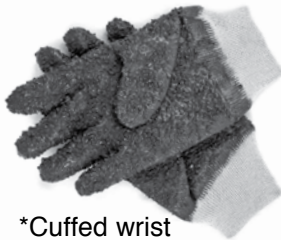


| PART NUMBER |
|-------------|
| 5231-DP |

Drain Snake Glove

Preferred by Plumbers

- PVC/NBR blend coating with PVC chips for non slip
- Chemical Resistant



*Cuffed wrist



*Mid-forearm length

| PART NUMBER | DESCRIPTION | PACK QTY |
|-------------|--------------------|----------|
| GL4100 | Cuffed Wrist | 1 |
| GL4112 | Mid-forearm length | 1 |

Reversible Plastic Dot Gloves

- 8 oz. cotton glove
- Knit wrist
- Use twice
- Large size only



| PART NUMBER |
|-------------|
| 5500 |



Caulking Tools

- For lead & oakum



| PART NUMBER | DESCRIPTION |
|-------------|--------------------------------|
| 4442 | 5/8" x 7" Inside caulker |
| 4443 | 5/8" x 7" Outside caulker |
| 4444 | 5/8" x 7" Straight caulker |
| 4446 | 1-1/2" Curved board caulker |
| 4447 | 5/8" x 12" Offset yarning iron |

Plumbers Lead Pot



| PART NUMBER | SIZE | VOLUME IN WEIGHT |
|-------------|------|------------------|
| 4592 | 6" | 30 lbs. |

Lead Ladle



| PART NUMBER | SIZE |
|-------------|------|
| 4586 | 4" |

Cut Length Oakum Oiled or White

- Convenient, labor saving cut lengths
- Non-splitting
- Contains no tar
- Made to pack well, caulks tight
- Treated with a special compound to expand when wet



Oil Treated

| PART NUMBER | DESCRIPTION |
|-------------|----------------------------------------|
| 2899 | 1 bag with 3 strands - 27" |
| 2897 | Small box w/ 12 strands of 27" lengths |
| 2898 | Large case with 10 boxes of #2897 |

White - No Oil

| PART NUMBER | DESCRIPTION |
|-------------|-----------------------------|
| 28100 | 1 bag with 14 strands - 27" |

Lead Joint Runners

- Non-asbestos



| PART NUMBER | RUNNER SIZE | FOR SOIL PIPE SIZE |
|-------------|-------------|--------------------|
| 4576 | #1 | 2" to 4" |



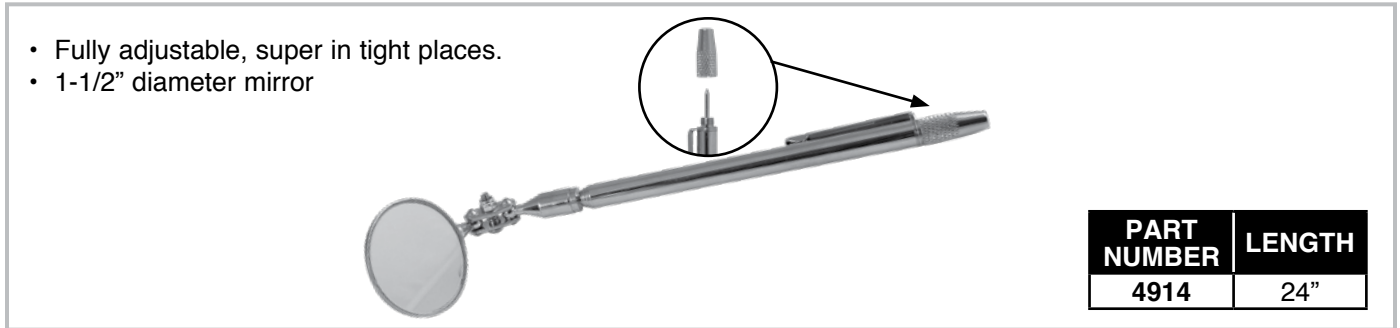
“Grab All” Retrieving Tool



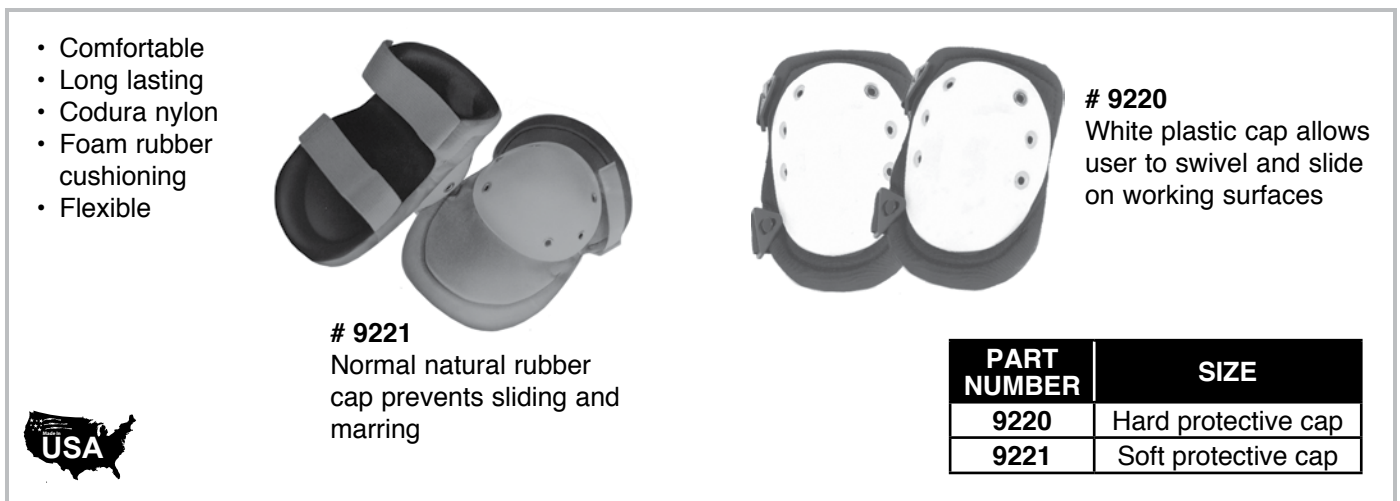
Magnetic Retrieving Tool



Inspection Mirror



Protective Knee Pads



Disposable Shoe Covers



Torpedo Level





Professional Auger Bag

- Durable design - Easy to wash out
- Air holes to help dry
- Keeps water + waste from dripping on the floor while exiting jobs
- Inside pockets designed to help carry essential items
- One closed end for easy storage
- Holds two augers



| PART NUMBER | DESCRIPTION |
|-------------|-------------|
| PS-BAG | Auger Bag |

Hand Pumps

- Use to drain or transfer water
- Large volume of water drawn with each pull of the handle

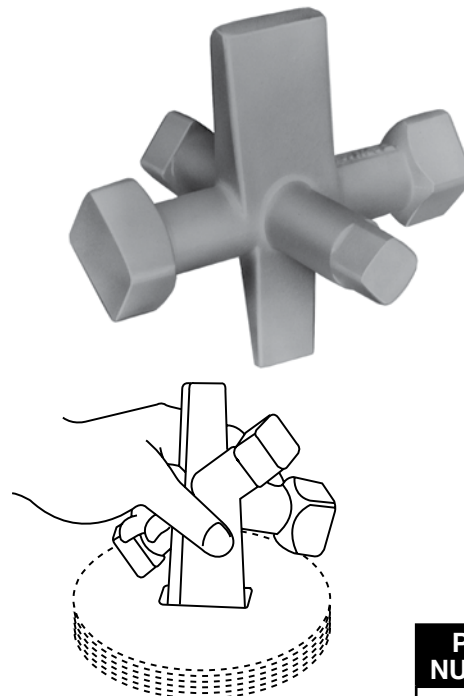


Mini pump ideal for draining traps or curved pipe

| PART NUMBER | HOSE LENGTH |
|-------------|-------------|
| 136PF-6 | 6 ft. |
| 12-A | 3 ft. |

Eureka Cleanout Plug Wrench

- This unique tool fits either slotted or square countersunk cleanout plugs
- Strong, malleable iron
- Fits slotted or square
- As Seen On TV - "This Old House"



| PART NUMBER |
|-------------|
| 4567 |



Meter Key Socket Head

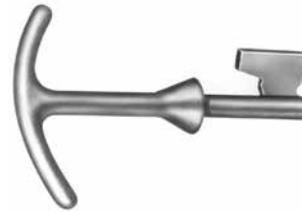
Make any length meter key using 1/2" IPS threaded pipe and this socket



PART NUMBER
4059

Water Meter Box Key

- Brass
- Fits most locks



PART NUMBER
4074

Water Meter Key

All new lightweight design!

This key is designed for valves that are hard to turn

- Minimum order of 5 keys required
- Heavy duty



| PART NUMBER | SHAFT DIAMETER | LENGTH | HANDLE LENGTH |
|-------------|----------------|--------|---------------|
| 4061 | 5/8" | 60" | 14" |
| 4089 | 3/4" | 40" | 14" |

Simply The Best Plumber's Air Pump

- Made of virtually unbreakable polypropylene
- 1-1/4" one piece barrel permits a large volume of air
- 48" Non-kinking reinforced hose
- Quick connect thumb valve
- Large easy one-piece grip handle
- 2" 0-160PSI gauge
- Easy to read RED pressure range arrow
- Hose attached to swivel at base to prevent breaking
- Foot pad is an integral part of pump - won't pull off

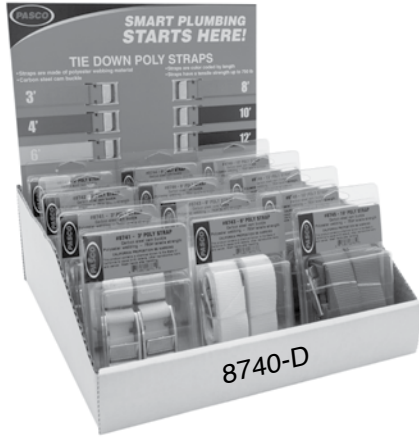


PART NUMBER
1424



Tie Down Poly Straps

- Straps are made of polyester webbing material
- Carbon steel cam buckle
- Straps are color coded by length
- Straps have a tensile strength up to 750 lb
- 1" width
- Two straps per package



| PART NUMBER | DESCRIPTION |
|-------------|---------------------------|
| 8740-D | Display w/ 2 of each size |

| PART NUMBER | DESCRIPTION |
|-------------|-----------------------------|
| 8741 | Pair of 3 ft. green straps |
| 8742 | Pair of 4 ft. red straps |
| 8743 | Pair of 6 ft. yellow straps |
| 8744 | Pair of 8 ft. brown straps |
| 8745 | Pair of 10 ft. blue straps |
| 8746 | Pair of 12 ft. black straps |

Pro-Strap®

| PART NUMBER | LENGTH |
|-------------|--------|
| 49431 | 43" |
| 49721 | 72" |

Nylon Seine Twine

- For plumb line, seine line, chalk line, mason line

| PART NUMBER | SIZE | TEST | LENGTH |
|-------------|------|---------|---------|
| 4115 | #18 | 179 lb. | 275 ft. |

Binder Twine

- 2,000 Ft.
- Sisal

| PART NUMBER |
|-------------|
| 4043 |

Truck Rope

- Polypropylene - Black-Orange

| PART NUMBER | O.D. SIZE | LENGTH |
|-------------|-----------|---------|
| 4111 | 3/8" | 50 ft. |
| 4112 | 3/8" | 600 ft. |



Master Plumbers Force Cup

- Heavy duty
- Ribbed cup for strength
- Provides big “blast” for all stoppages
- High quality rubber
- 19” handle



PART NUMBER
4636

Heavy Duty Closet Bowl Force Cup

- Extra large for best pressure with positive seal
- Designed for all types of toilets
- High quality black rubber
- 19” handle



PART NUMBER
4637

Economy Force Cup

- High quality red rubber
- Available in 5” or 6” diameter
- 19” handle



| PART NUMBER | SIZE |
|-------------|------|
| 4640 | 5” |
| 4641 | 6” |

Plunger Bag

- Durable design - easy to wash out
- Mesh bottom to help dry
- Helps keep water + waste from dripping
- Easy carry handle
- Holds multiple styles and size plungers



PART NUMBER
4687

Plunger Bag Kit

- Durable design - easy to wash out
- Mesh bottom to help dry
- Helps keep water + waste from dripping
- Easy carry handle
- Comes with plunger #4636



PART NUMBER
4687-K



Water Heater Grounding Items

- Bare bronze clamp - steel screws
- Fits 1/2" - 1" pipe
- 2 strand ground wire max
- 10 per bag



*Grounding Adapter

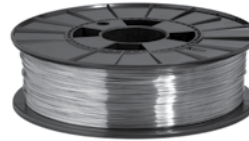


*Screw-On Wire Connectors

- Industry standard
- Reinforced phenolic
- 600 V

- 6 gauge
- 250 foot spool

New!



*Bare Copper Grounding Wire

| PART NUMBER | DESCRIPTION |
|-------------|--------------------------------------------------------------|
| 8330 | Bare Copper Grounding Wire |
| 5075 | Grounding Adapter |
| 5070 | Screw-on's: Orange = Small Connects wire sizes #22 - #14 |
| 5074 | Screw-on's: Yellow = Medium Connects wire sizes #18 - #10 |

Water Heater Grounding Kits

- Two Bare bronze clamp - steel screws
- Fits 1/2" - 1" pipe



*1050



*1052

New!

| PART NUMBER | DESCRIPTION |
|-------------|--------------------------------|
| 1050 | Water Heater Grounding Kit 12" |
| 1052 | Water Heater Grounding Kit 24" |

"Romex" Connector

For garbage disposal pigtails

- Zinc die cast
- Dry location use



10 per bag

| PART NUMBER |
|-------------|
| 5080 |

New!

Thermostat Wire

- Solid copper conductors with PVC insulation, conductors twisted
- Color coded
- Bagged



| PART NUMBER | LENGTH | WIRE TYPE |
|-------------|--------|-----------|
| 8320 | 25' | 18/2 |
| 8321 | 50' | |

Adapters

U-Ground 3 Outlet

- 15 A rating
- 14/3 cord
- All u-ground connection
- 24" length



| PART NUMBER |
|-------------|
| 8291 |

Twist & Lock to U-Ground

- Male twist and lock to female u-ground
- 15 A plug, 20 A connection
- 12/3 ST cord
- 12" length



| PART NUMBER |
|-------------|
| 8302 |



Heavy Duty Extension Cords

- Straight caps
- Round cord



| PART NUMBER | LENGTH | RATING | CORD TYPE |
|-------------|--------|--------|-----------|
| 8024 | 25' | 13-A | 16/3 SJT |
| 8025 | 50' | 13-A | |
| 8028 | 50' | 15-A | 14/3 SJT |

Trouble Lights

- Metal bulb guard
- *Arctic cord- Blue



| PART NUMBER | LENGTH | RATING | CORD TYPE |
|-------------|--------|--------|------------------|
| 8072* | 25' | 13 A | 16/3 SKEW-A BLUE |
| 8073* | 50' | | |
| 8165 | 25' | 13 A | 16/3 SJT |
| 8166 | 50' | | |

Disposer, Timer & Furnace Cords

ANGLE CAPS

- Wire Nuts
- Romex Connector
- Ends stripped 5/8"
- Pigtail



| PART NUMBER | LENGTH | RATING | CORD TYPE |
|-------------|--------|--------|-----------|
| 8121 | 3' | 13-A | 16/3 SPT |
| 8122 | 4' | | |
| 8123 | 5' | | |
| 8124 | 6' | | |
| 8125 | 8' | | |

STRAIGHT CAPS

- Wire Nuts
- Romex Connector
- Ends stripped 5/8"
- Pigtail



| PART NUMBER | LENGTH | RATING | CORD TYPE |
|-------------|--------|--------|-----------|
| 8130 | 3' | 13-A | 16/3 SPT |
| 8131 | 4' | | |
| 8132 | 5' | | |
| 8133 | 6' | | |
| 8134 | 8' | | |